

## PNEUMATIC CONTROL VALVES PV926H

( V926 hygienic angle valve with linear actuator PA series )

### DESCRIPTION

The PV926H hygienic control valves are single seated, two-way body constructed with angle connections. The PA pneumatic actuator is rubber diaphragm and multi-springs. Its action can be DA - direct action (air to close) or RA-reverse action (air to open). The PV926H valves have been designed to assure an accurate control in any process condition. The self draining design is ideally suited to applications in clean steam service.

### MAIN FEATURES

Completely made from solid bar stock material  
Single seated, two way, direct or reverse action valve.  
Valve top flange permanently attached to the body, removal is unnecessary for replacing the actuator.  
Metal to metal or soft sealing.  
Self draining design.

### STANDARD SURFACE FINISH

Internal wetted parts:  $\leq 0,5$  micron Ra  
External :  $\leq 0,8$  micron Ra  
( 0,25 micron Ra and electro polished as option)  
Ultrasonic cleaning  
Actuator (stainless steel): satin bead blast finish 1,6 micron Ra  
Actuator (steel): Electrostatic painted

### OPTIONS:

Soft sealing  
Steam barrier  
Inline connections  
Positioners and position transmitters  
Air filter regulator  
Bolted bonnet

### USE:

Saturated steam, hot and superheated water  
Process fluids, liquids, air and gases compatible with the construction

### AVAILABLE MODELS:

PV926H

### VALVE SIZES:

DN1/2" to DN2"

### CONNECTIONS:

Sanitary clamp and tube weld ends  
ASME BPE (DIN 11866 Series C)  
Others on request

### VALVE PORT:

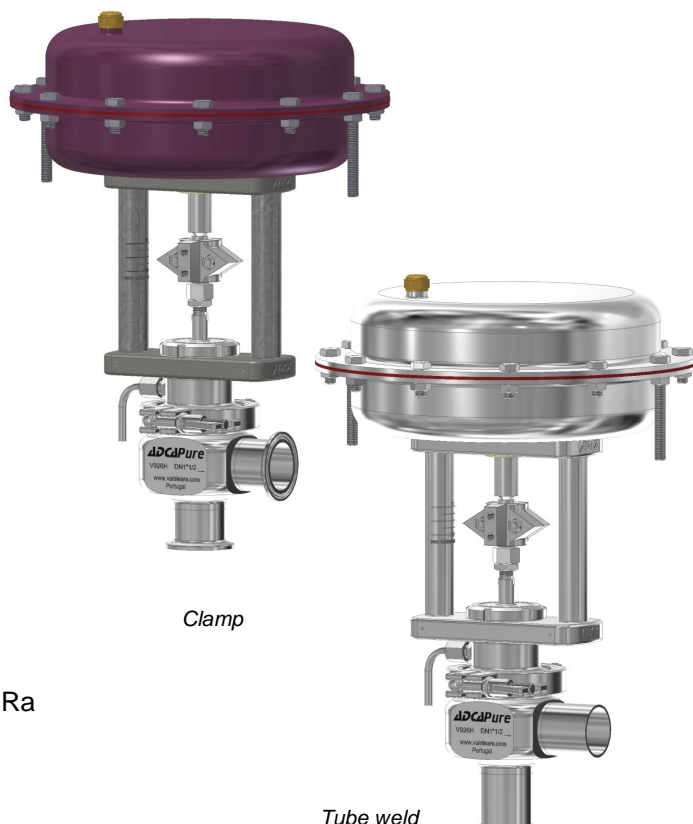
Full port as standard  
Reduced or micro flow on request

### PLUG TYPES:

Equal percentage (EQP)  
Linear (PL)  
On-Off (PT)

### PACKAGING:

Assembling and packaging in a clean room certified according to ISO 14644-1. The product is end capped and vacuum sealed with recyclable plastic film to avoid contamination.



### LIMITING CONDITIONS

Valve model	V926H
Body design conditions	PN 16
Maximum operating pressure	13 bar @ 38
Max. operating steam pressure	6 bar
Max. oper. temperature steam and water	170 °C
Max. operating temperature with air	150 °C
Minimum operating temperature	- 10 °C

Higher and lower limits on request

### CE MARKING (PED - European Directive 97/23/EC)

PN 16	Category
DN1/2" to DN2"	SEP - art. 3, paragraph3

### PNEUMATIC

ACTUATORS: PA-205,PA-280,PA-340

### ACTUATOR

CONNECTIONS: 1/4" NPT-F

### CONTROL

SIGNAL: 0,4 – 1,2 bar; 0,4 – 2 bar

ELECTRIC ACT.: Consult IS EL20.00 E

MAX.AIR SUPPLY: 3,5 bar

### AMBIENT

TEMPERATURE: -20°C ....+70°C

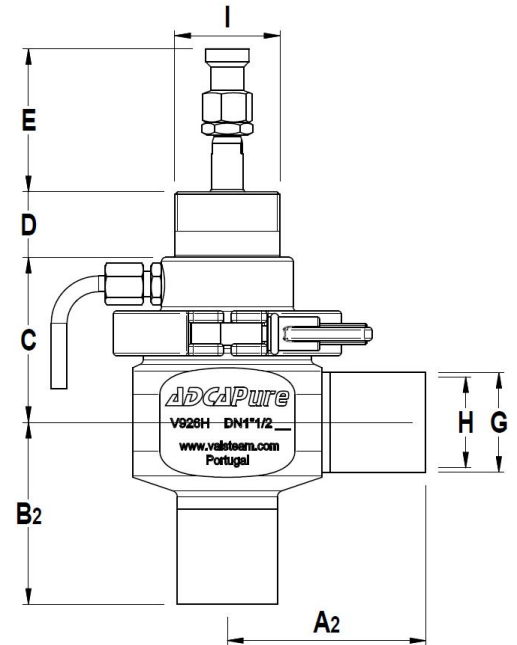
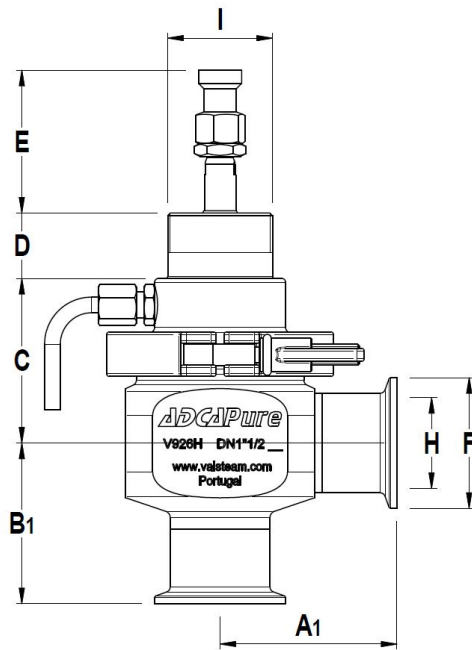
**HOW TO SELECT:** Never size the valve according to the pipe diameter in which it has to be fitted, but according to the required actual flow of steam or water. Refer to the valve calculation data sheet or consult the factory.

FLOW RATE COEFFICIENTS					
	SIZES				
	1/2"	3/4"	1"	1 1/2"	2"
<b>Kvs</b>	1,7	3,7	6,3	19,2	27,7

Kvs in m<sup>3</sup>/h, see data sheet IS PV10.00 E;  
For conversion  $Kvs = Cv(US) \times 0,855$

VALVE STROKE IN mm					
	SIZES				
	1/2"	3/4"	1"	1 1/2"	2"
<b>Stroke</b>	15	15	15	20	20

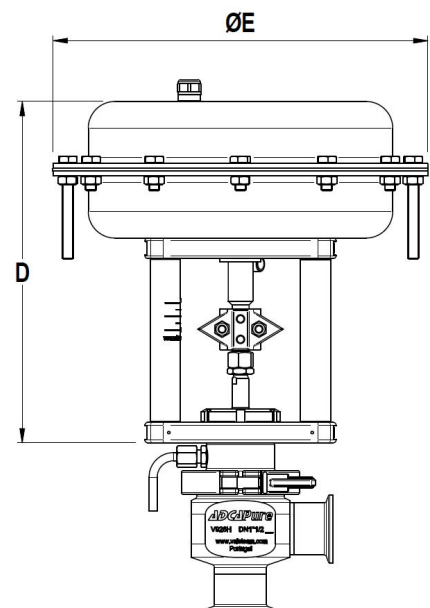
Alternative valve strokes on request



VALVE DIMENSIONS (mm)												
SIZE DN	A <sub>1</sub>	A <sub>2</sub>	B <sub>1</sub>	B <sub>2</sub>	C	D	E	F	G	H	I	WGT. Kgs
1/2"	52	54	41	41	51	25	55	25	12,7	9,4	M40x1,5	1,3
3/4"	52	56	45	51	53	25	55	25	19,05	15,8	M40x1,5	1,4
1"	54	59	49	57	58	25	55	50,5	25,4	22,1	M40x1,5	1,6
1 1/2"	68	76	62	70	63	25	55	50,5	38,1	34,8	M40x1,5	2,8
2"	68	78	65	78	68	25	55	64	50,8	47,5	M40x1,5	3,1

Face to face dimensions are not standardized. Different dimensions available on request.

ACTUATOR DIMENSIONS			
ACTUATOR			
Type	D (mm)	E (mm)	WGT. Kgs
PA-205	235	210	5,4
PA-280	240	275	8,2
PA-340	265	335	14,3

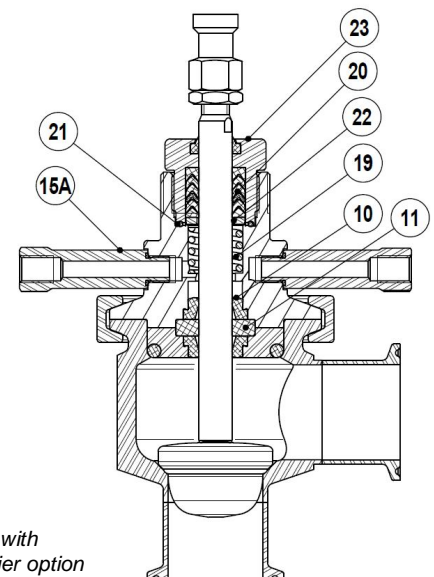
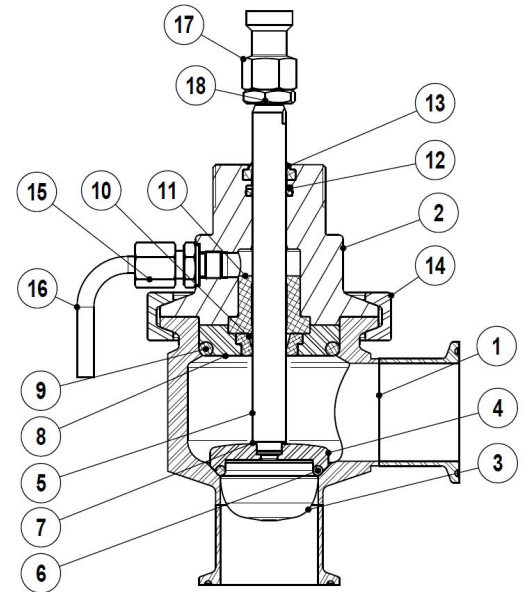


MATERIALS		
POS.	DESIGNATION	MATERIAL
1	Valve body	AISI316L / 1.4404
2	Bonnet	AISI316L / 1.4404
3	* Valve plug	AISI316L / 1.4404
4	Plug disc	AISI316L / 1.4404
5	* Stem	AISI316L / 1.4404
6	Valve plug seal	AISI316L / 1.4404
7	O-ring	TFM 1600
8	Centering ring	AISI316L / 1.4404
9	* O-ring	High performance EPDM
10	* Shaft seal	High performance EPDM
11	* Guide bushing	TFM 1600
12	* O-ring	EPDM
13	* Scraper ring	VITON
14	Clamp	AISI316 / 1.4401
15	Leak-off connection	AISI304 / 1.4301
15A	Nipple	AISI316L / 1.4404
16	Discharge pipe	AISI316 / 1.4401
17	Nut adapter	AISI316 / 1.4401
18	Lock nut	A2 - 70
19	Spring	AISI302 / 1.4300
20	*Packing (chevron rings)	PTFE
21	*O-ring	High performance EPDM
22	*Washer	AISI304 / 1.4301
23	Gland nut	AISI316L / 1.4404
50	Yoke (steel)	C45E / 1.1191
	Yoke (stainless steel)	AISI304 / 1.4301
51	Actuator (steel)	S235JRG2 / 1.0038
	Actuator (stainless steel)	AISI304 / 1.4301
52	* Diaphragm	NBR 70
53	Lock nut	CF8 / 1.4308
54	Coupling (travel indicator)	CF8 / 1.4308

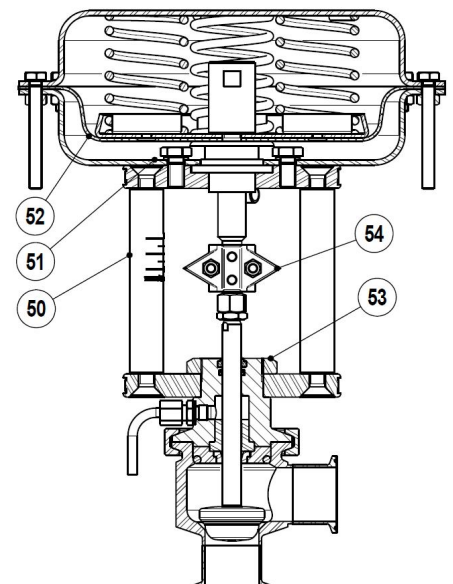
\* Available spare parts. \*\* On request

Remarks: FDA/USP Class VI seals certificate on request

All valves have a serial number. In case of non-standard valves this number must be supplied if spare parts are ordered.



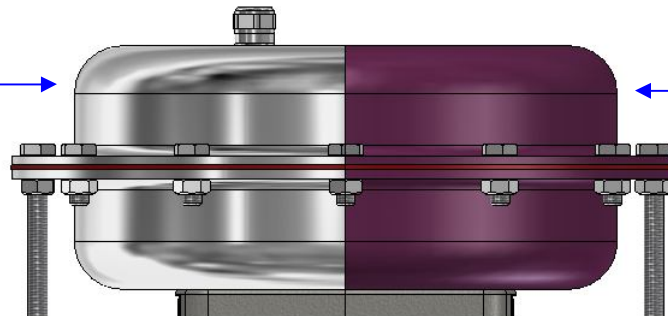
Valve with steam barrier option





Alternative stainless steel actuator and yoke

Electrostatic painted actuator



Clamped body and bonnet  
Easily detachable

Air trap free design

Gap absense between the bonnet and shaft seal

Seating:  
Metal to metal – Class IV  
Soft – Class VI

All wetted sealing materials comply with FDA regulations and are conform USP Class VI

316L  
Solid barstock construction

Suitable for CIP and SIP

Optional steam injection ports (steam barrier)

