

## BALANCED PRESSURE THERMOSTATIC STEAM TRAP

### Clean Steam Trap TSS 6A ( DN 1/2" – 3/4" ASME BPE )

#### DESCRIPTION

The TSS 6A all stainless steel thermostatic steam traps and air vents are specifically designed for use in reactors, sterilizers and distribution lines in clean and pure steam systems.

Their small size make them ideal for use with a wide variety of these equipments.

#### MAIN FEATURES

Modulating discharge.

Wide range of connections options

Excellent air discharge.

Simple and compact design.

#### STANDARD SURFACE FINISH

Internal wetted parts: ≤ 0,51 micron Ra – SF1.

External : ≤ 0,76 micron Ra – SF3.

Other surface conditions see IS PV20.00-Technical information.

Ultrasonic cleaning.

OPTIONS: Special designs under request.

USE: Saturated clean steam.

AVAILABLE

MODELS: TSS6A Inlet and outlet angle  
TSS6AI Inlet angle straight outlet  
TSS6AO Inlet straight outlet angle

SIZES: 1/2" and 3/4".

CONNECTIONS: ASME BPE.

Clamp ferrules.

PACKAGING: Assembling and packaging in a clean room certified according to ISO 14644-1.

The product is end capped and vacuum sealed with recyclable plastic film to avoid contamination.

INSTALLATION: Vertical installation.

PMA	Max. allowable pressure	10 bar
TMA	Max. allowable temperature	177 °C
PMO	Max. operating pressure	6 bar
TMO	Max. operating temperature	165 °C



TSS6A



TSS6AI



TSS6AO

FLOW RATE CAPACITY IN Kg/h		DIFFERENTIAL PRESSURE (bar)									
MODEL	SIZE	0,2	0,3	0,5	1	1,5	2	3	4	6	
*TSS6A (A)	1/2"-3/4"	320	380	410	550	680	909	1081	1199	1403	
*TSS6A (B)	1/2"-3/4"	470	495	518	697	792	1026	1231	1436	1682	

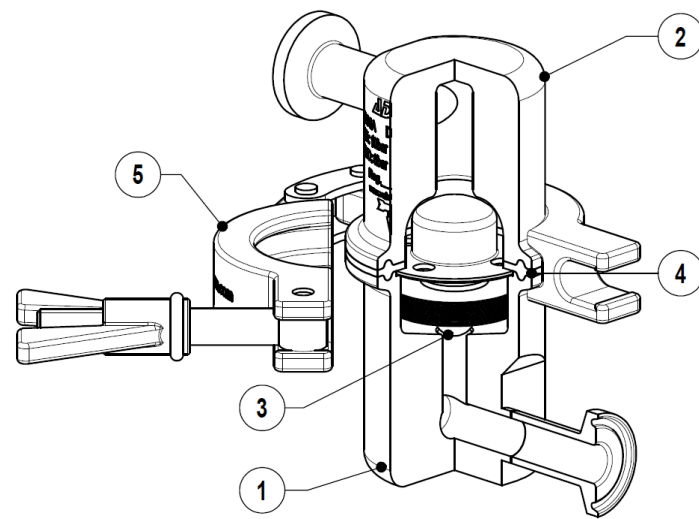
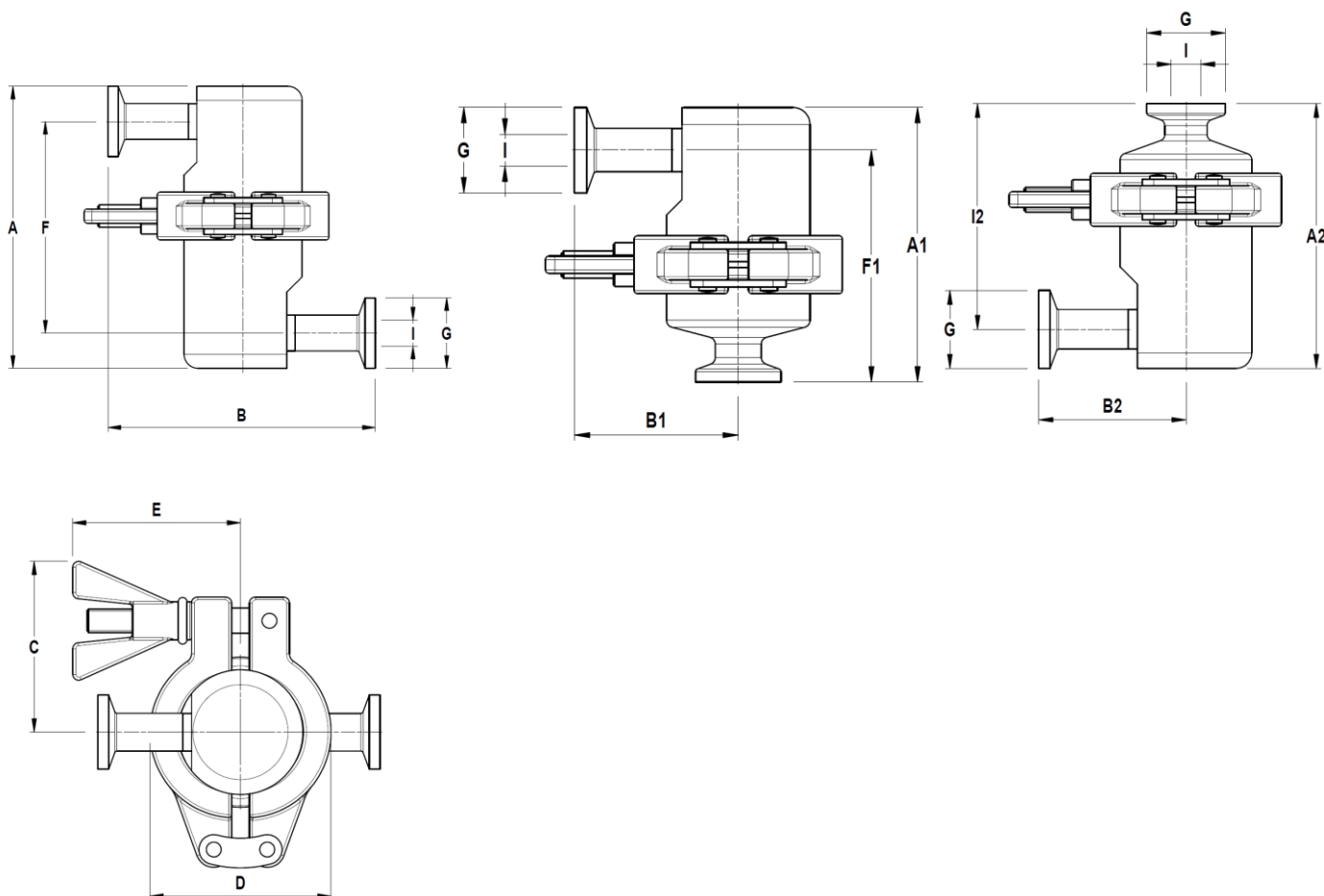
Capacities show n refer to condensate at 5°C below saturated steam temperature .

A = Condensate discharge. B = Cold water capacity at about 20°C.

\*Also applied to TSS6AI and TSS6AO

**DIMENSIONS (mm)**

SIZE	A	A1	A2	B	B1	B2	C	D	E	F	F1	F2	G	I	WGT. Kg
1/2"	100	80,5	85	95	48	47	57,5	61	56,5	75	68	72,5	25	9,4	1,2
3/4"	100	80,5	85	95	48	47	57,5	61	56,5	75	68	72,5	25	15,75	1,2


**MATERIALS**

POS.	DESIGNATION	MATERIAL
1	Body	AISI316L / 1.4404
2	Cover	AISI316L / 1.4404
3	* Thermostat	AISI316L / 1.4404
4	* Gasket	PTFE/TFM® Envelope gasket **
5	Safety clamp	AISI316 / 1.4401

\* Available spare parts.

\*\* FDA/USP Class VI seals certificate on request.