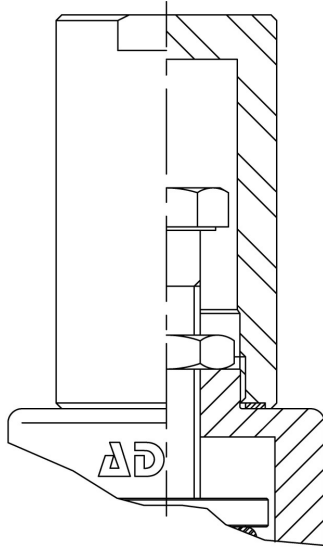
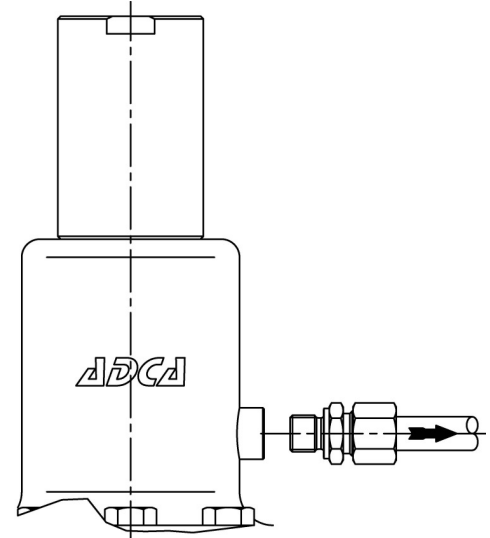


PRESSURE REDUCING AND PRESSURE SUSTAINING VALVE OPTIONS

Top cap (Tc)
(Adjusting screw sealing)

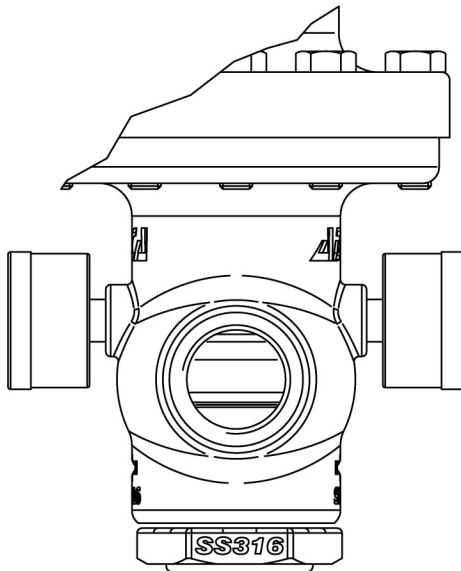


Leakage line connection (Llc)
(To be piped to a safe place)



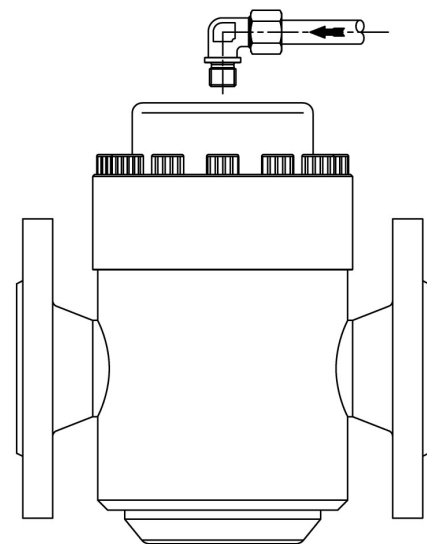
For maximum safety, when handling toxic or hazardous media, to avoid room contamination.
Recommended in a self-relieving regulator

Pressure gauge connection (Pgc)

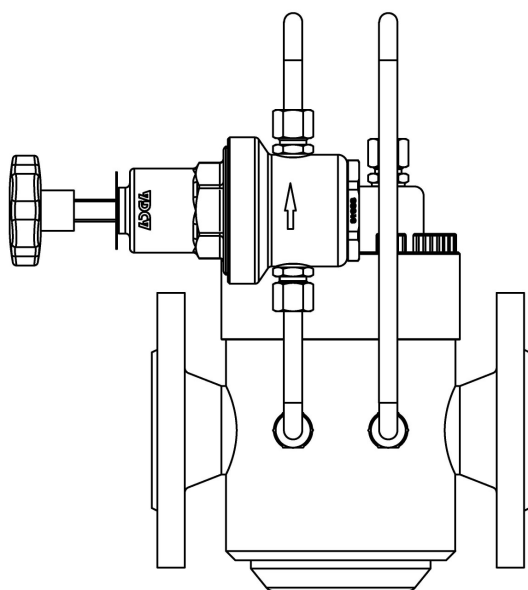


Can be applied in one or both sides

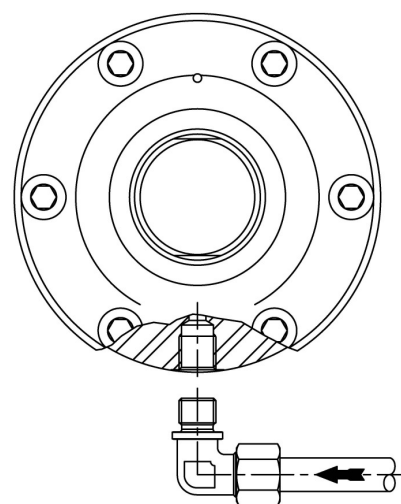
Dome loaded (DI)

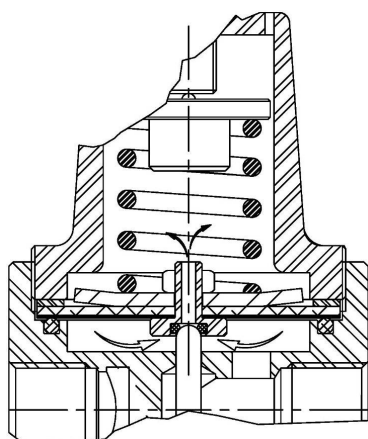
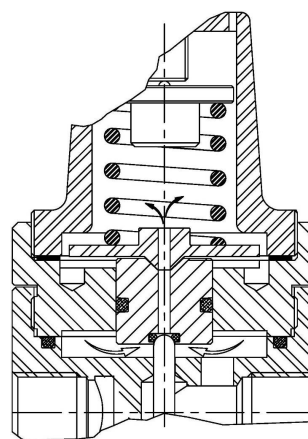


Operated by a smaller self-relieving pressure regulator
Reduced droop

Pilot operated (Po)


Maximum accuracy, reduced droop

External feedback (Ef)

 Better performance in case of high differential pressures
 Reduced droop

Self relieving - diaphragm design (Rlv)

Self relieving - piston design (Rlv)


	<i>PRV25</i> <i>PRW25</i>	<i>P15</i> <i>PS15</i>	<i>P20</i>	<i>PS4</i>	<i>P7</i> <i>PS7</i>	<i>PRV300</i> <i>PS300</i>	<i>PRV30</i> <i>PS30</i>	<i>PRV31</i> <i>PS31</i>	<i>PRV41</i>
Tc	NA	A	A	A	A	A	A	A	A
Llc	NA	A	A	A	A	A	A	A	A
Pgc	A 1)	A 2)	A 2)	A 2)	A 2)	A 1)	A 1)	A 1)	A 2)
DI	NA	A	A	A	A	A	A	A	A
Po	NA	A	A	A	NA	A	A	A	A
Ef	A	A	A	S	S	A 3)	A 3)	A 3)	A
Rlv *	NA	NA	NA	NA	NA	A	A	A	A

* Applicable only to pressure regulators

Key: A - Available against extra price ; NA - Not available; S - Standard (no extra price)

1) Pressure gauge (if directly connected): Max. D63

2) Pressure gauge (if directly connected): Max. D40

3) Except for PRV30,31 and 300 DN 1"-25 made from casted material