

Rp	Nb	DESIGNATION		MATIERE /MATERIAL
01	1	CORPS	BODY	1.4408/ CF8M
03	1	JOINT RACCORD SIEGE	SEAT GASKET	PTFE
04	1	RACCORD SIEGE	SEAT	1.4404/ AISI 316L
08	1	SOUPAPE	DISC	1.4404/ AISI 316L
09	1	DEFLECTEUR	DISC-HOLDER	1.4404/ AISI 316L
10	1	VIS D'ARRET	SCREW	INOX/ STAINLESS STEEL
11	1	BILLE	BALL	1.4404/ AISI 316L
12	1	TIGE	STEM	1.4404/ AISI 316L
14	1	GUIDE TIGE	STEM GUIDE	1.4404/ AISI 316L
15	1	BAGUE COUP INF. (DN40/50)	RING (DN40/50)	1.4404/ AISI 316L
16	1	COUPELLE INFERIEURE	UNDER SPRING PLATE	1.4404/ AISI 316L
17	1	RESSORT	SPRING	1.4310/ AISI 302
18	1	COUPELLE SUPERIEURE	UPPER SPRING PLATE	1.4404/ AISI 316L
22	1	VIS DE REGLAGE	ADJUSTMENT SCREW	1.4404/ AISI 316L
23	1	CONTRE-ECROU V.REGLAGE	LOCK NUT	1.4409/ AISI 316L
27	1	BOUCHON DN 15 to 32 DN 40/50	LOCK NUT ND 15 to 32 ND 40/50	1.4408/ CF3M 1.4404/ AISI 316L
51	1	RACCORD DE SORTIE	COUPLING	1.4404/ AISI 316L
54	1	JOINT RACCORD DE SORTIE	GASKET	PTFE
55	1	VIS DE BLOCAGE	BLOCKING SCREW	INOX/ STAINLESS STEEL
56	1	ECROU	NUT	INOX/ STAINLESS STEEL
62	1	JOINT	GASKET	1.4301/ AISI 304L
63	1	SCREW	SCREW	INOX/ STAINLESS STEEL

- SOUPAPE DE SURETE ACIER INOXYDABLE
- BOUCHON ETANCHE SANS LEVIER
- RACCORDEMENT :
ENTREE/SORTIE=EMBOU A FLANC CONIQUE
POUR RACCORD RAPIDE (Svt NFE 29521)

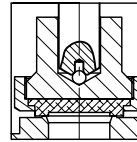
- AUTRES CONDITIONS DE SERVICE, RACCORDEMENTS
ET MATERIAUX SUR DEMANDE.
- MATERIEL CONFORME A LA DIRECTIVE 97/23/CE

- STAINLESS STEEL SAFETY RELIEF VALVE
- TIGHT PLUG WITHOUT LEVER
- CONNECTION :
INLET/OUTLET=CLAMP TYPE

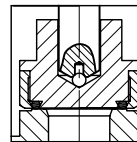
- OTHER WORKING CONDITIONS, CONNECTIONS
AND MATERIALS ON REQUEST
- MATERIAL CONFORM TO DIRECTIVE 97/23/CE

VARIANTES OTHER POSSIBILITIES

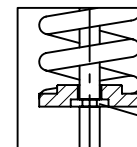
SOUPAPE A PORTEE PTFE
DISC WITH PTFE GASKET
TYPE 521 IRT



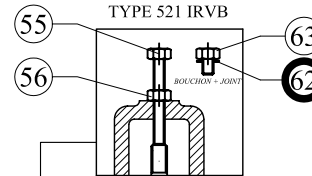
SOUPAPE A JOINT TORIQUE FPM ou EPDM
DISC WITH O'RING FPM or EPDM
TYPE 521 IRJT ou 521 IRJEP



COUPELLE
UNDER SPRING PLATE DETAIL
DN40/50

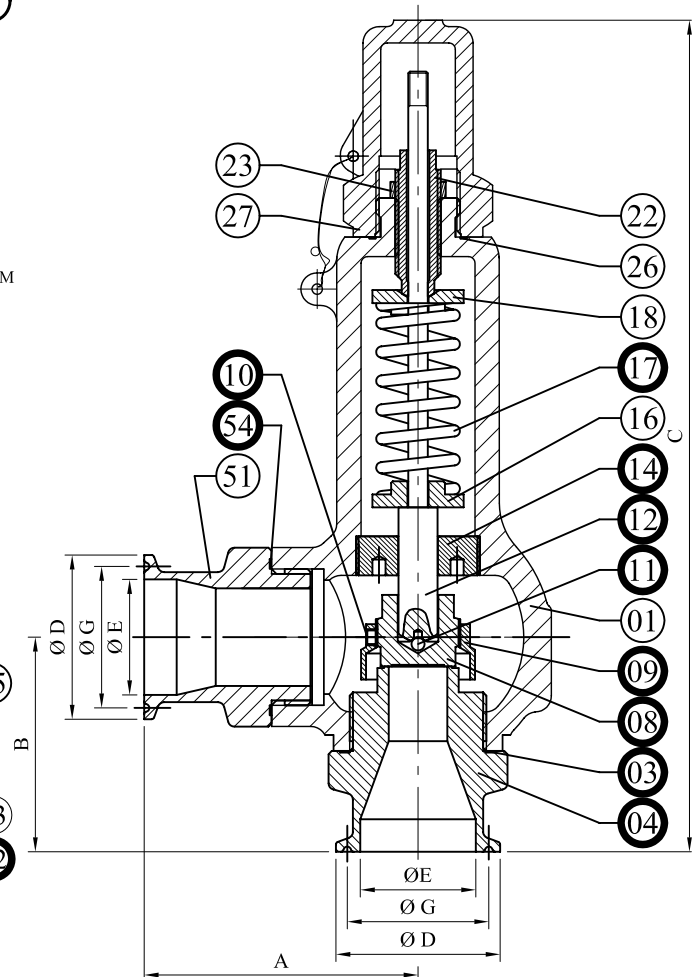


VIS DE BLOCAGE
BLOCKING SCREW
TYPE 521 IRVB



ATTENTION!

VIS DE BLOCAGE MECANISME - A REMPLACER PAR BOUCHON + JOINT AVANT MISE EN SERVICE
BLOCKING SCREW SHOULD BE REPLACED BY SCREW+GASKET BEFORE USE



PIECES DE RCHANGE CONSEILLEES
RECOMMENDED SPARE PARTS

CE DOCUMENT PEUT ETRE MODIFIE SANS AVIS PREALABLE
ALL SECIFICATIONS SUBJECT TO CHANGE WITHOUT NOTICE

DN	ENTREE / SORTIE INLET / OUTLET				A	B	C	P.D.O (bar) SET PRESSURE MINI 0,20 bar Maxi	SECTION DE PASSAGE CROSS SECTION (mm2)	POIDS WEIGHT (Kg)
	CLAMP	ØE	ØG	ØD						
15	25	22,5	43,5	50,5	70	61	215	14	113	2.5
20	38	35,5	43,5	50,5	90	67	255	14	177	3.8
25	38	35,5	43,5	50,5	90	67	255	14	254	3.8
32	38	35,5	43,5	50,5	90	67	255	14	346	3.8
40	51	48,5	56,5	64	135	110	480	14	707	13
50	51	48,5	56,5	64	135	110	480	14	1018	13

H+Valves

Impasse "les Sallants"
CHESSY-LES-MINES
BP 79
69380-LOZANNE-FRANCE
Tél: 33.(0)4.78.43.91.52
Fax: 33.(0)4.78.43.91.01

EDITION ORIGINALE / INITIAL ISSUE
SOUPAPE DE SURETE
SAFETY RELIEF VALVE
TYPE 521 IR - CLAMP
DN 15/.../50 - PN16

3521 I

A	19/07/07	EDITION ORIGINALE / INITIAL ISSUE	RANA	DEBELLE