

Rp	Nb	DESIGNATION		MATIERE /MATERIAL
01	1	CORPS	BODY	1.4408/ A351CF8M
03	1	JOINT RACCORD SIEGE	SEAT GASKET	PTFE
04	1	RACCORD SIEGE	SEAT	1.4404/ AISI 316L
08	1	SOUPAPE	DISC	1.4404/ AISI 316L
09	1	DEFLECTEUR	DISC-HOLDER	1.4404/ AISI 316L
10	1	VIS D'ARRET	SCREW	INOX/ STAINLESS STEEL
11	1	BILLE	BALL	1.4404/ AISI 316L
12	1	TIGE	STEM	1.4404/ AISI 316L
14	1	GUIDE TIGE	STEM GUIDE	1.4404/ AISI 316L
15	1	BAGUE COUP INF. (DN40/50)	RING (DN40/50)	1.4404/ AISI 316L
16	1	COUPELLE INFERIEURE	UNDER SPRING PLATE	1.4404/ AISI 316L
17	1	RESSORT	SPRING	1.4310/ AISI 302
18	1	COUPELLE SUPERIEURE	UPPER SPRING PLATE	1.4404/ AISI 316L
22	1	VIS DE REGLAGE	ADJUSTMENT SCREW	1.4404/ AISI 316L
23	1	CONTRE-ECROU V.REGLAGE	LOCK NUT	1.4404/ AISI 316L
26	1	JOINT DE BOUCHON	PLUG GASKET	PTFE
27	1	BOUCHON DN 15 à 32 DN 40/50	PLUG ND 15 to 32 ND 40/50	1.4409/ CF3M 1.4404/ AISI 316L
55	1	VIS DE BLOCAGE	BLOCKING SCREW	INOX/ STAINLESS STEEL
56	1	ECROU	NUT	INOX/ STAINLESS STEEL
62	1	JOINT	GASKET	1.4301/ AISI 304L
63	1	VIS	SCREW	INOX/ STAINLESS STEEL

- SOUPAPE DE SURETE ACIER INOXYDABLE
- BOUCHON ETANCHE SANS LEVIER
- RACCORDEMENT :  
ENTREE=EMBOUT A FLANC CONIQUE POUR RACCORD RAPIDE (Svt NFE 29521)  
SORTIE=TARAUDEE GAZ OU NPT

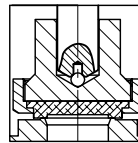
- AUTRES CONDITIONS DE SERVICE, RACCORDEMENTS ET MATERIAUX SUR DEMANDE.
- MATERIEL CONFORME A LA DIRECTIVE 97/23/CE

- STAINLESS STEEL SAFETY RELIEF VALVE
- TIGHT PLUG WITHOUT LEVER
- CONNECTIONS :  
INLET=CLAMP TYPE  
OUTLET= SCREWED END BSP OR NPT

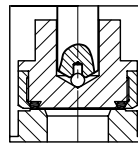
- OTHER WORKING CONDITIONS, CONNECTIONS AND MATERIALS ON REQUEST
- MATERIAL CONFORM TO DIRECTIVE 97/23/CE

## VARIANTES OTHER POSSIBILITIES

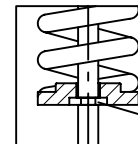
SOUPAPE A PORTEE PTFE  
DISC WITH PTFE GASKET  
TYPE 520 IRT



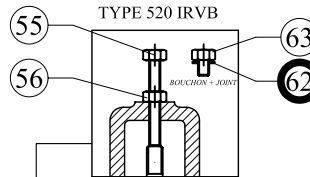
SOUPAPE A JOINT TORIQUE FPM ou EPDM  
DISC WITH O'RING FPM or EPDM  
TYPE 520 IRJT ou 520 IRJEP



COUPELLE  
UNDER SPRING PLATE DETAIL  
DN40/50

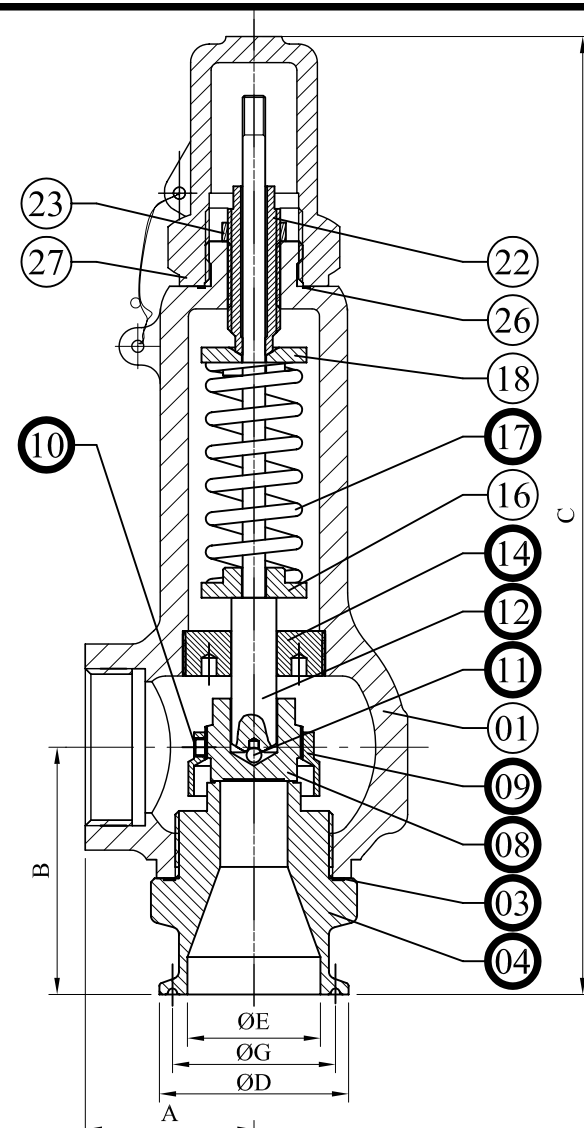


VIS DE BLOCAGE  
BLOCKING SCREW  
TYPE 520 IRVB



**ATTENTION!**

VIS DE BLOCAGE MECANISME - A REMPLACER PAR BOUCHON + JOINT AVANT MISE EN SERVICE  
BLOCKING SCREW SHOULD BE REPLACED BY SCREW+GASKET BEFORE USE



PIECES DE REMPLACEMENT CONSEILLEES  
RECOMMENDED SPARE PARTS

CE DOCUMENT PEUT ETRE MODIFIE SANS AVIS PREALABLE  
ALL SPECIFICATIONS SUBJECT TO CHANGE WITHOUT NOTICE

DN	ENTREE INLET				SORTIE OUTLET	A	B	C	P.D.O (bar) SET PRESSURE MINI 0,20 bar Maxi	SECTION DE PASSAGE CROSS SECTION (mm <sup>2</sup> )	POIDS WEIGHT (Kg)
	CLAMP	ØE	ØG	ØD							
15	25	22,5	43,5	50,5	3/4"	38	61	215	14	113	1.8
20	38	35,5	43,5	50,5	1.1/4"	43	67	255	14	177	3
25	38	35,5	43,5	50,5	1.1/4"	43	67	255	14	254	3
32	38	35,5	43,5	50,5	1.1/4"	43	67	255	14	346	3
40	51	48,5	56,5	64	2"	80	110	480	14	707	11
50	51	48,5	56,5	64	2"	80	110	480	14	1018	11

A	19/07/07	EDITION ORIGINALE / INITIAL ISSUE	RANA	DEBELLE
H+Valves		SOUPAPE DE SURETE SAFETY RELIEF VALVE TYPE 520 IR - CLAMP DN 15/.../50 - PN16		3520 I
<small>Impasse "les Saillants" CHESSY-LES-MINES BP 79 69380-L'OZANNE-FRANCE Tél: 33.(0)4.78.43.91.52 Fax: 33.(0)4.78.43.91.01</small>				