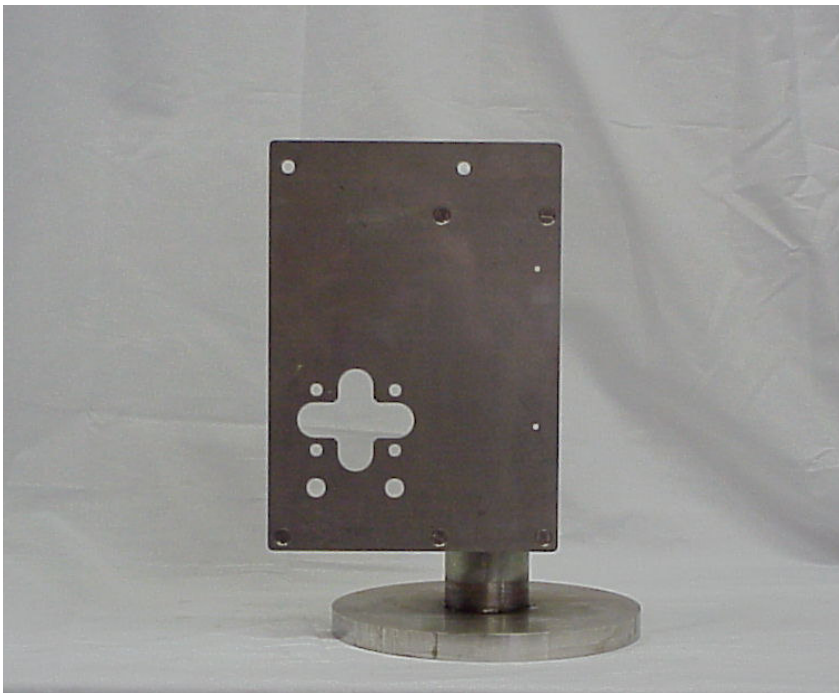




# Model 77.100



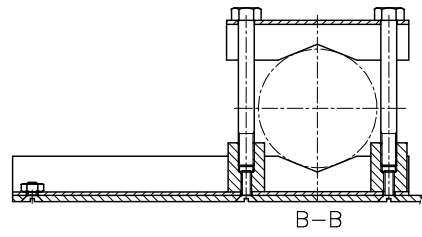
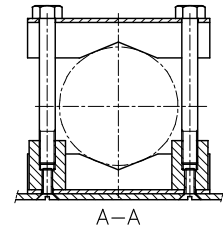
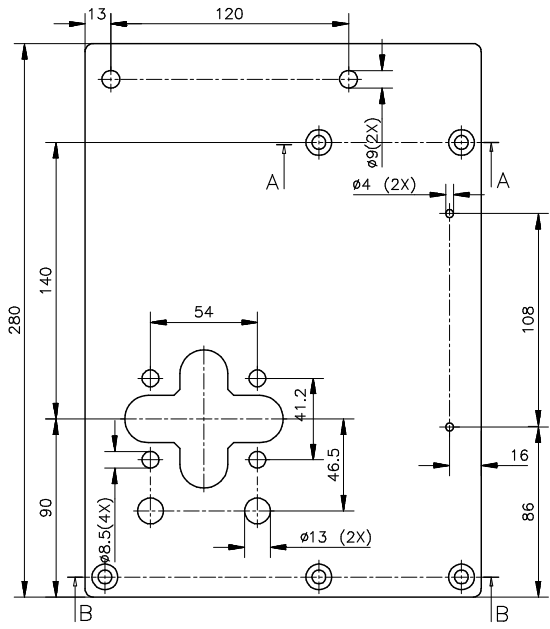
**77.100**  
**MOUNTING PLATE ASSEMBLY FOR MOUNTING ON 2" STANDPIPE**

<b>Standard materials</b>	
Plate	AISI 316
U-type brackets	AISI 316
Bolts	AISI 316
Nuts	AISI 316
Screws	AISI 316

<b>Remark(s)</b>	
Suitable for ASTAVA manifolds 272, 274, 276, 278, 472, 474, 476 and 478	
Suitable for ASTAVA sunshade 32.500 and T-housing 65-10-20-40	

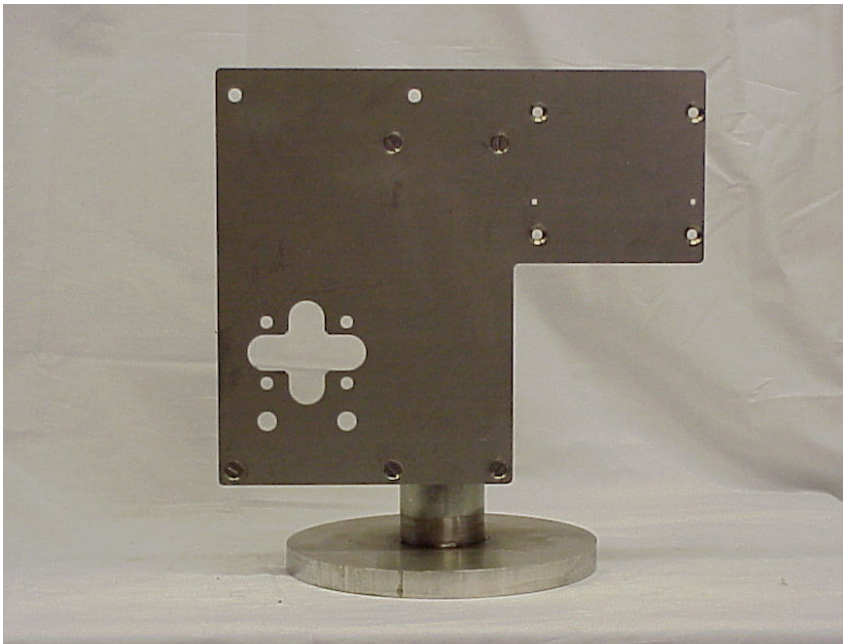
# Model 77.100



77.100



# Model 77.200



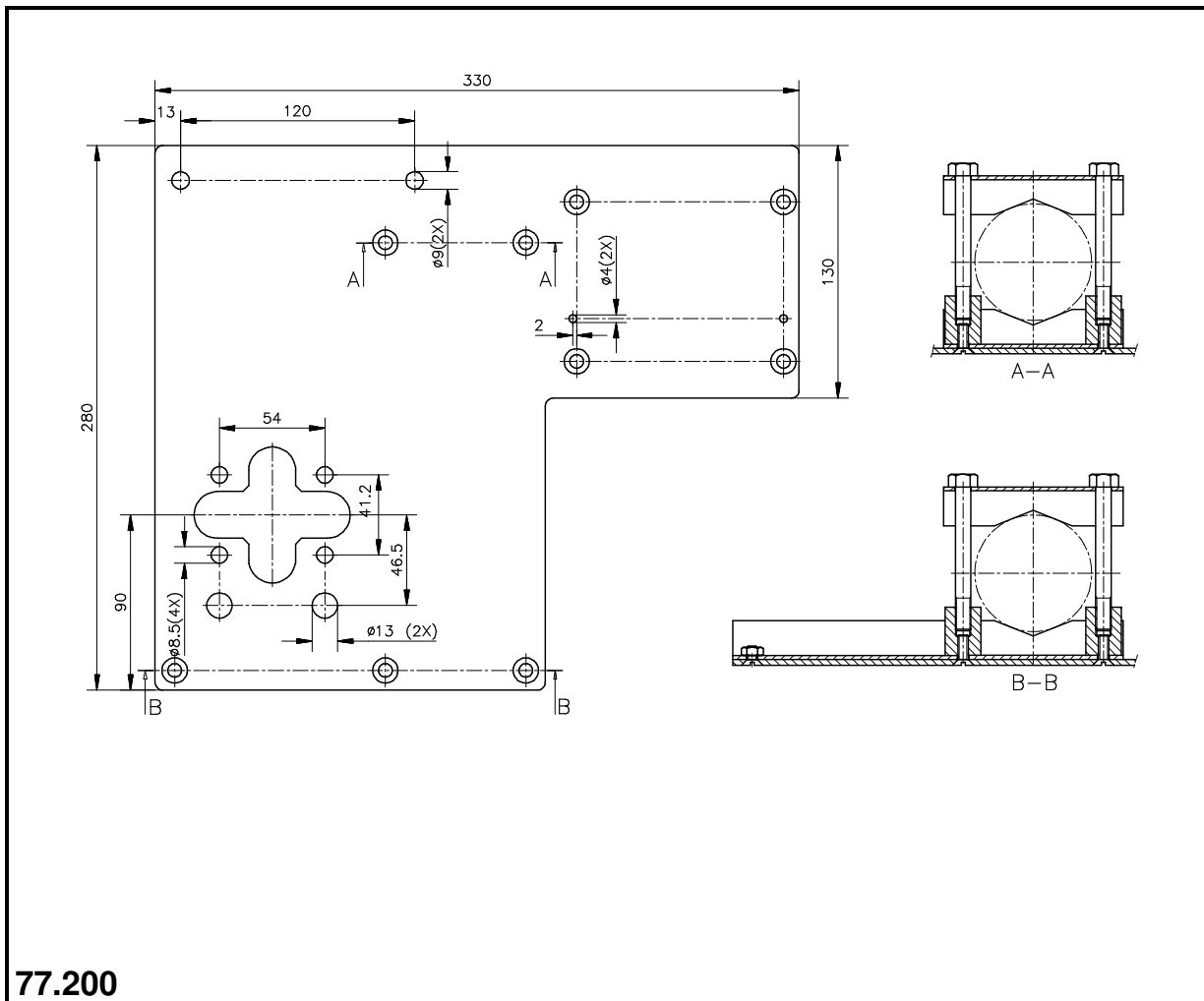
**77.200**  
**MOUNTING PLATE ASSEMBLY FOR MOUNTING ON 2" STANDPIPE**

<b>Standard materials</b>	
Plate	AISI 316
U-type brackets	AISI 316
Bolts	AISI 316
Nuts	AISI 316
Screws	AISI 316

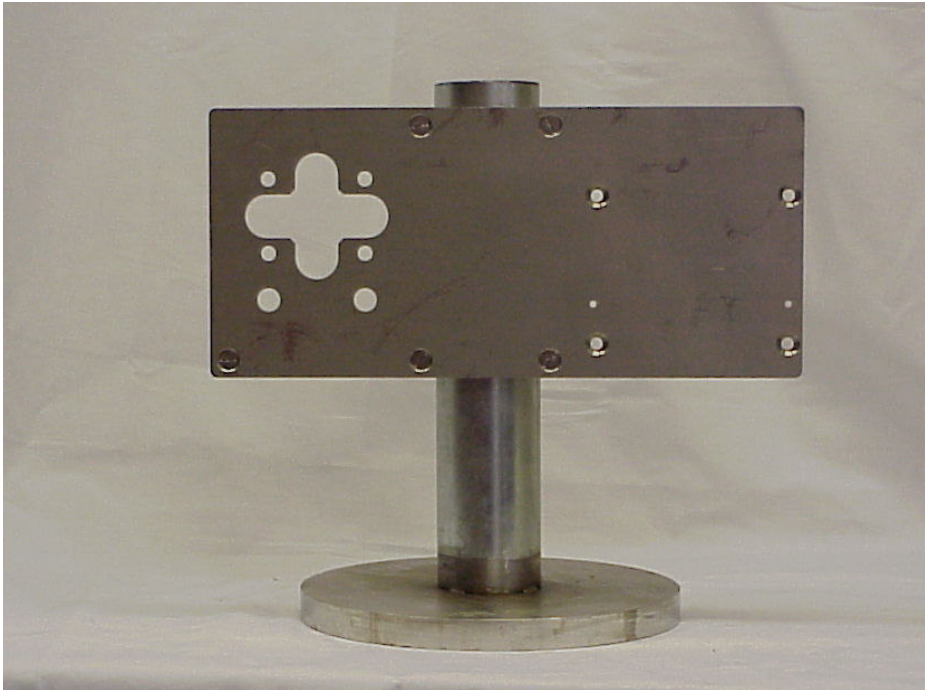
<b>Remark(s)</b>	
Suitable for ASTAVA manifolds 272, 274, 276, 278, 472, 474, 476 and 478	
Suitable for ASTAVA sunshade 32.500 and T-housing 65-10-20-40	

# Model 77.200





# Model 77.300



## 77.300

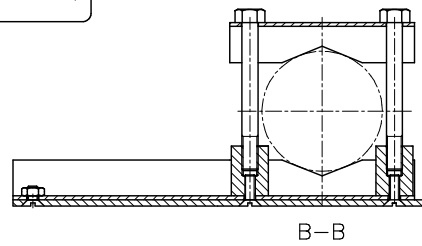
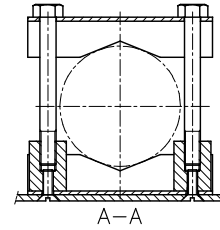
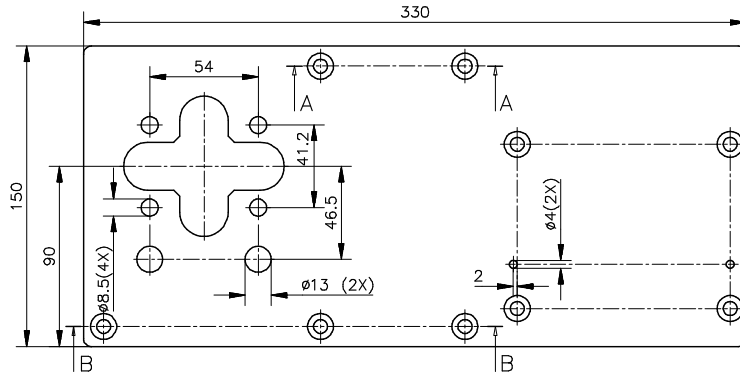
MOUNTING PLATE ASSEMBLY FOR MOUNTING ON 2" STANDPIPE

<b>Standard materials</b>	
Plate	AISI 316
U-type brackets	AISI 316
Bolts	AISI 316
Nuts	AISI 316
Screws	AISI 316

<b>Remark(s)</b>	
Suitable for ASTAVA manifolds 272, 274, 276, 278, 472, 474, 476 and 478	
Suitable for ASTAVA T-housing 65-10-20-40	

# Model 77.300



77.300



# Model 77.400

---

## 77.400

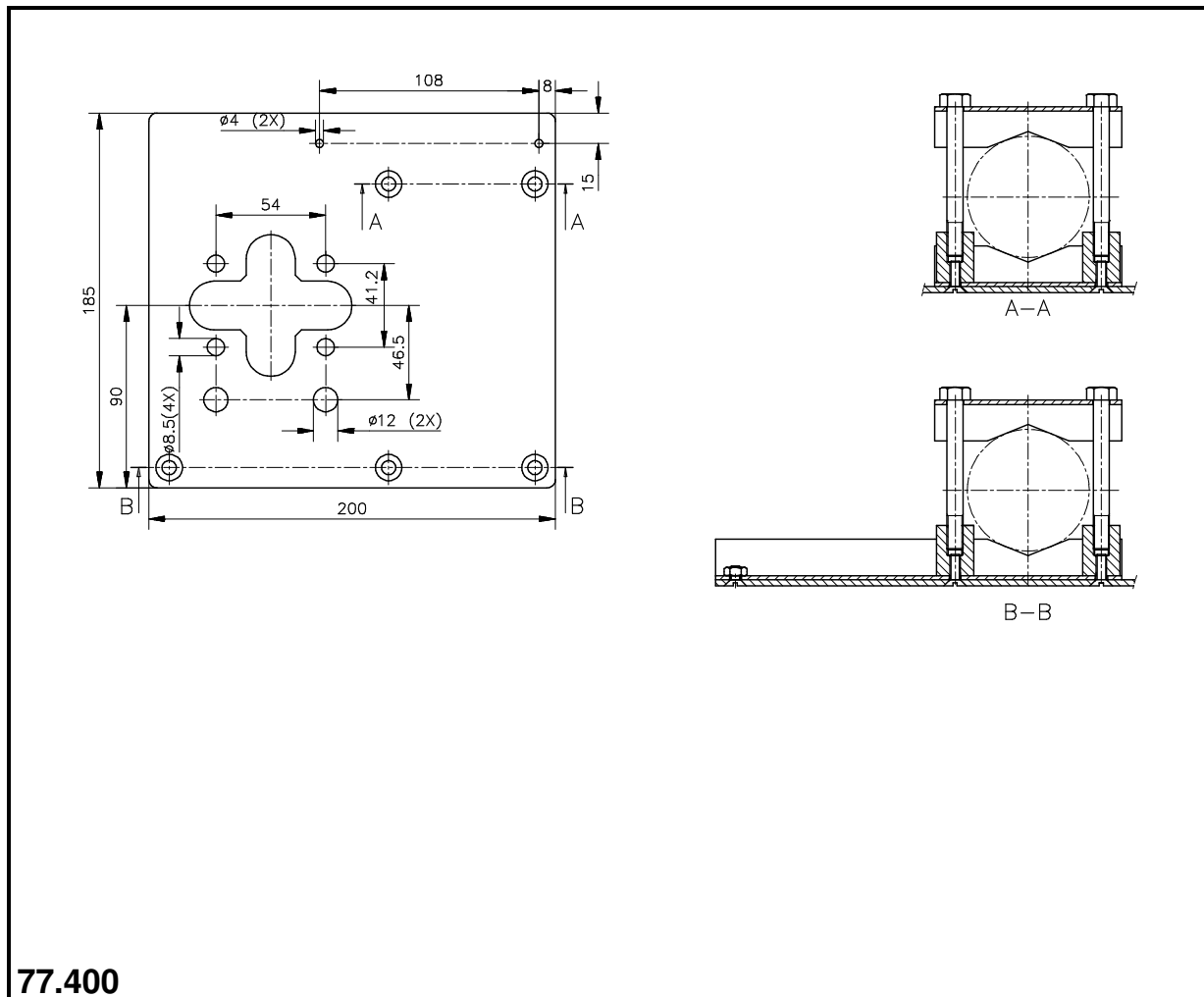
MOUNTING PLATE ASSEMBLY FOR MOUNTING ON 2" STANDPIPE

<b>Standard materials</b>	
Plate	AISI 316
U-type brackets	AISI 316
Bolts	AISI 316
Nuts	AISI 316
Screws	AISI 316

<b>Remark(s)</b>
Suitable for ASTAVA manifolds 272, 274, 276, 278, 472, 474, 476 and 478
Suitable for ASTAVA T-housing 65-10-20-40

# Model 77.400



77.400