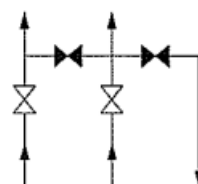
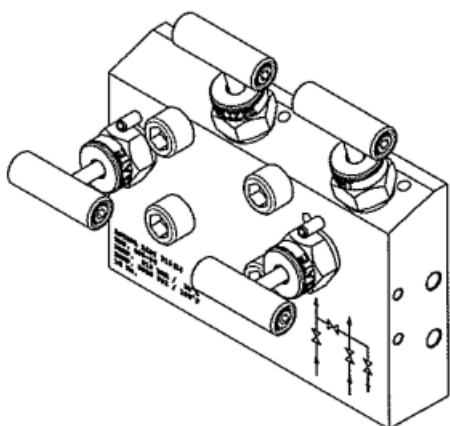




Model 490



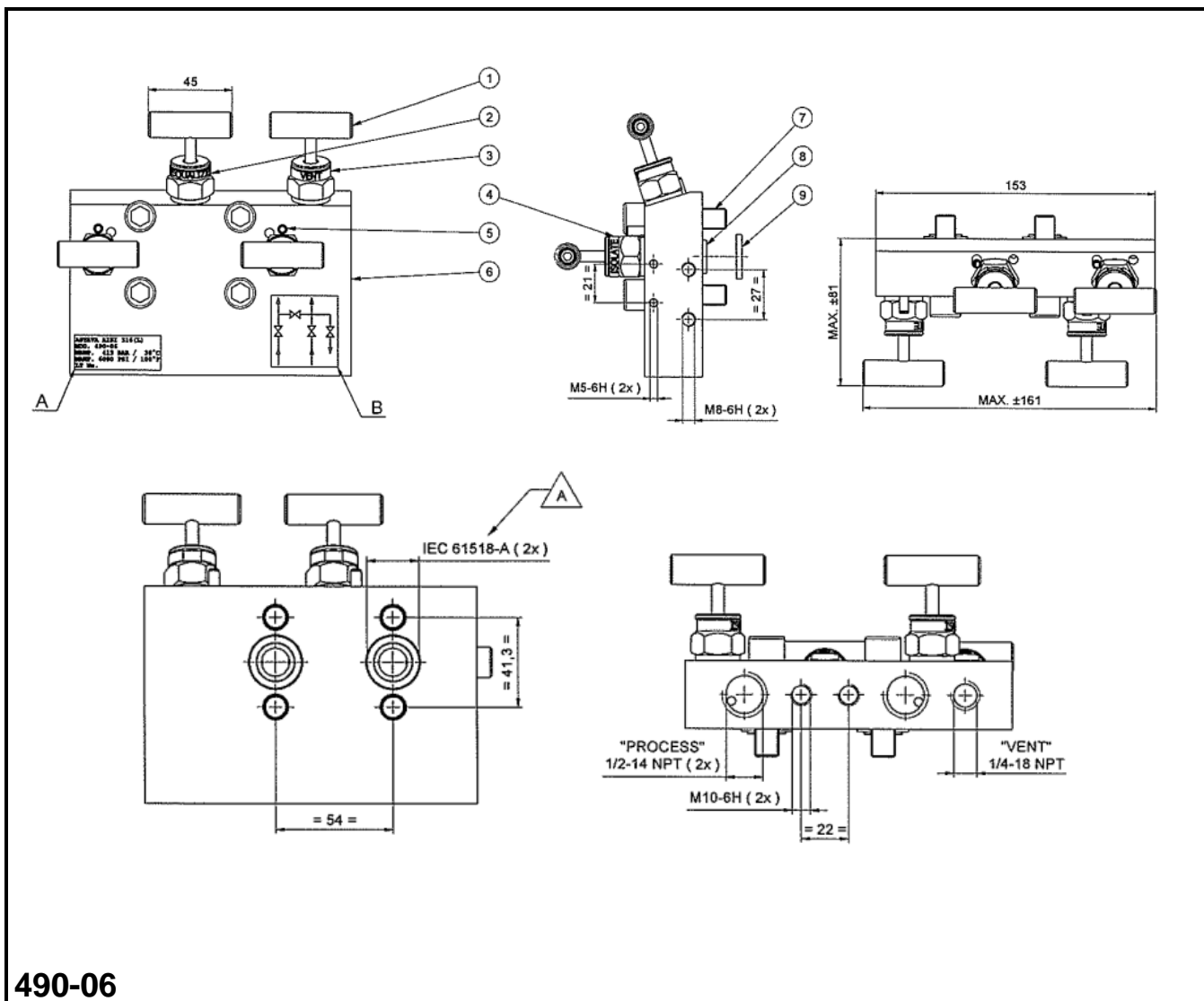
490-06

4-VALVE MANIFOLD FOR INSIDE INSTRUMENT HOUSINGS (HA4, HA5....., HA10)

DIRECT MOUNTING ON DIFFERENTIAL PRESSURE TRANSMITTER HAVING 54 MM CENTRES

Standard materials				
Body, Bonnet	AISI 316 L			
Needle point	Rotating ceramic ball Al ₂ O ₃			
Stem	AISI 316 Ti with chromium-carbide diffusion coating			
Connections				
Process	2 x 1/2-14 NPT (F) ANSI / ASME B1.20.1			
Instrument	Flanged IEC61518-A			
Vent / Purge	1 x 1/4-18 NPT (F) ANSI / ASME B1.20.1			
Instrument mounting material				
2 Gaskets	PTFE			
4 Bolts 7/16" UNF	AISI 316			
Stem packing	Code	P/T	Material	
Teflon (PTFE)	xxx-01	413 barg 38°C 200 barg 230°C 6000 psig 100°F 3000 psig 450°F	AISI 316 (L)	
VITON	xxx-06	413 barg 38°C 200 barg 200°C 6000 psig 100°F 3000 psig 400°F	AISI 316 (L)	
Grafoil	xxx-05	413 barg 38°C 200 barg 400°C 6000 psig 100°F 3000 psig 750 °F	AISI 316 (L)	
Other packingmat.	Sillicon, Kalrez, Supagraf Premier, EPDM, Elast-o-lion			
Special alloys	Alloy 400	Alloy C-276	TITAN	DUPLEX 1.4462
Model	xxx-02	xxx-03	xxx-04	xxx-20
Stem packing	PTFE	PTFE	PTFE	VITON O-ring
	Alloy 825	Alloy 625	Alloy 254Smo (6M0)	
Model	xxx-12 (825)	xxx-12	xxx-11	Other on request
stem packing	PTFE	PTFE	PTFE	
Optional				
Oxygen cleaned				xxx-xx/C

Model 490



490-06

