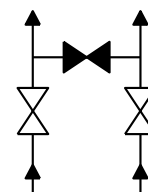
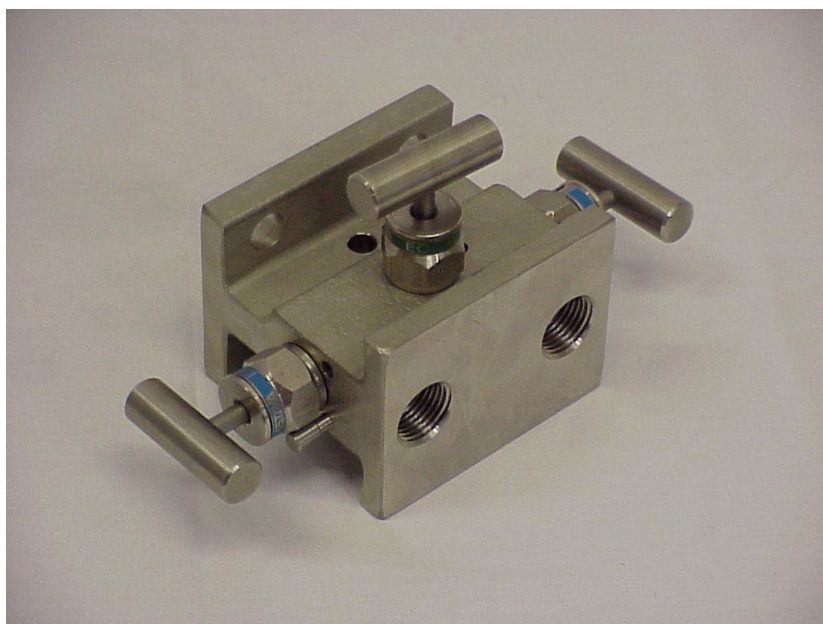




Model 302



PICTURE MODEL 302-06
3-VALVE MANIFOLD FOR DIRECT MOUNTING ON DIFFERENTIAL PRESSURE TRANSMITTER HAVING 54 MM CENTRES

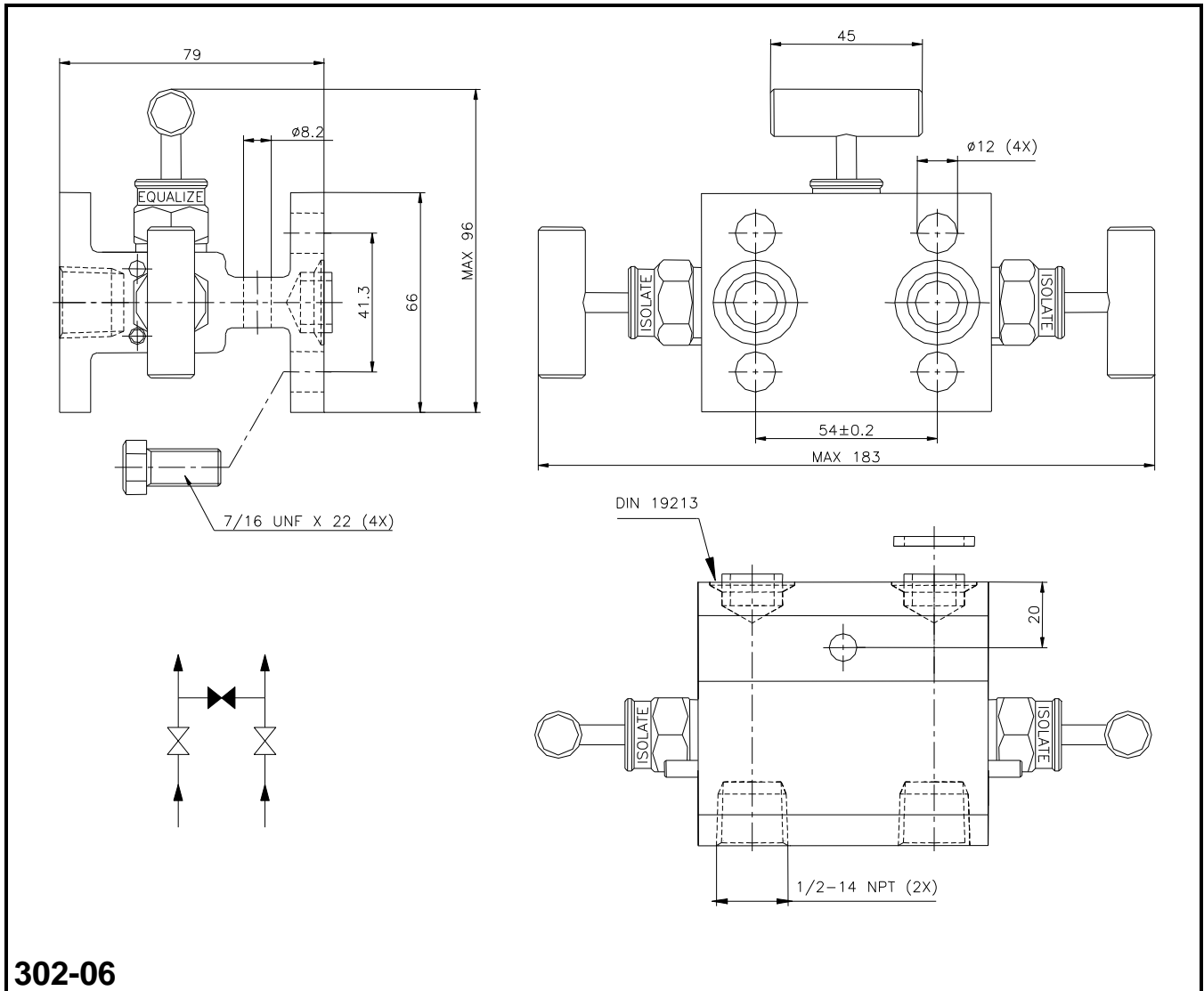
Standard materials		
Body, Bonnet	AISI 316 L	
Needle point	Rotating ceramic ball Al ₂ O ₃	
Stem	AISI 316 Ti with chromium-carbide diffusion coating	
Connections		
Process	2 x 1/2-14 NPT (F)	ANSI / ASME B1.20.1
Instrument	Flanged	IEC61518-A
Instrument mounting material		
2 Gaskets	PTFE	
4 Bolts 7/16" UNF	AISI 316	

Stem packing	Code	P/T	Material
Teflon (PTFE)	xxx-01	413 barg 38°C 200 barg 230°C 6000 psig 100°F 3000 psig 450°F	AISI 316 (L)
VITON	xxx-06	413 barg 38°C 200 barg 200°C 6000 psig 100°F 3000 psig 400°F	AISI 316 (L)
Grafoil	xxx-05	413 barg 38°C 200 barg 230°C 6000 psig 100°F 3000 psig 450°F	AISI 316 (L)
Other packingmat.	Sillicon, Kalrez, Supagraf Premier, EPDM, Elast-o-lion		

Optional	
Oxygen cleaned	xxx-xx/C
G-threaded process connections	xxx/B -xx

Special alloys	Alloy 400	Alloy C-276	TITAN	DUPLEX 1.4462
Model	xxx-02	xxx-03	xxx-04	xxx-20
Stem packing	PTFE	PTFE	PTFE	VITON O-ring
	Alloy 825	Alloy 625	Alloy 254Smo (6M0)	
Model	xxx-12 (825)	xxx-12	xxx-11	Other on request
Stem packing	PTFE	PTFE	PTFE	

Model 302



302-06

