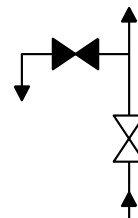
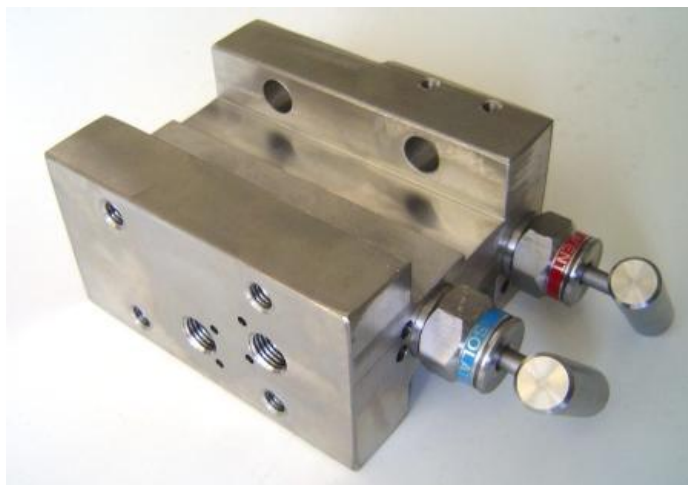




# Model 277

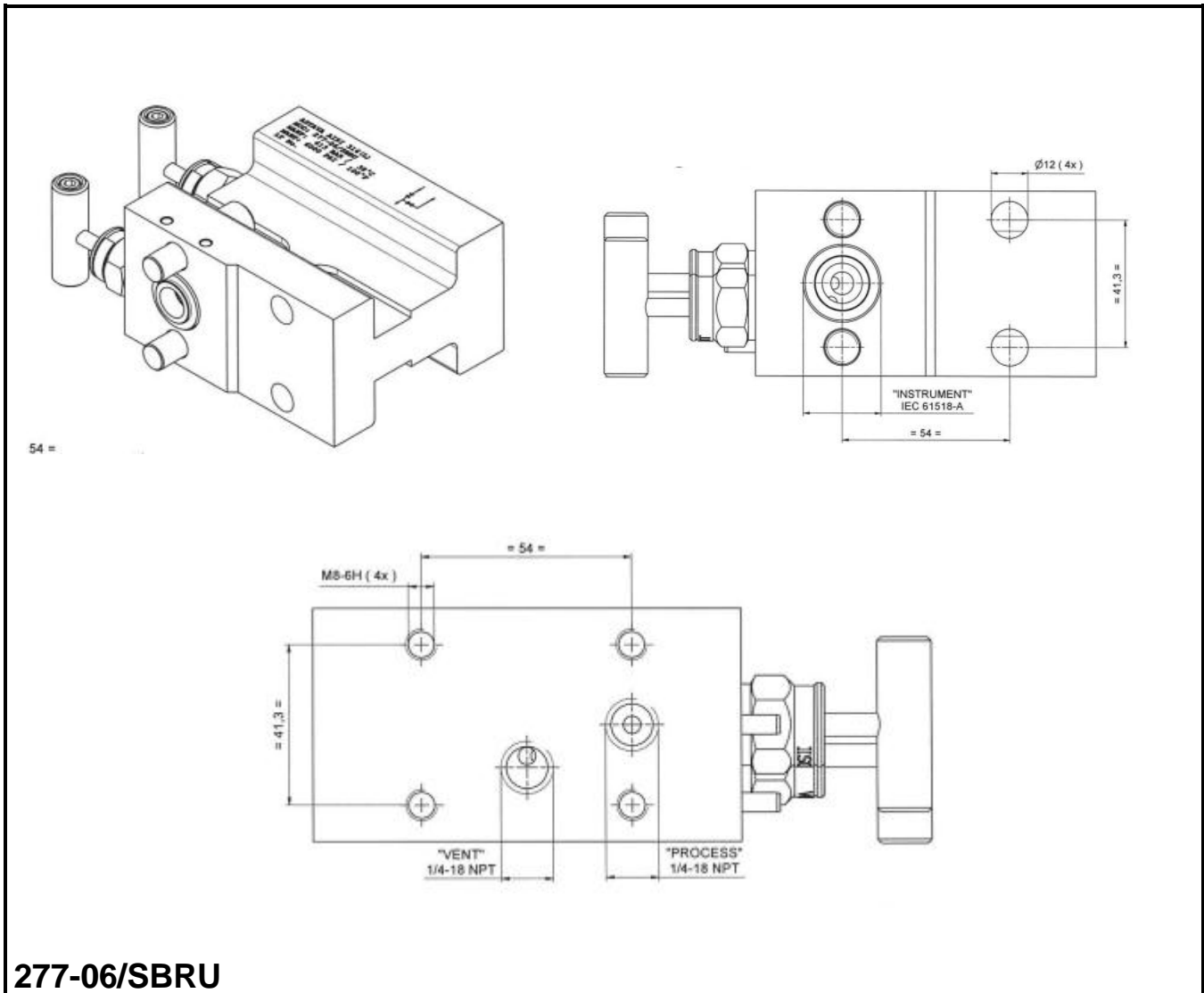


## PICTURE MODEL: 277-06/SBRU

2-VALVE MANIFOLD FOR DIRECT MOUNTING ON PRESSURE TRANSMITTER

| <b>Standard materials</b>                |  |   |                           |                      |
|--|--|---|---------------------------|----------------------|
| Body, Bonnet, Plug                       | AISI 316 L   |   |                           |                      |
| Needle point                             | Rotating ceramic ball Al <sub>2</sub> O <sub>3</sub>   |   |                           |                      |
| Stem                                     | AISI 316 Ti with chromium-carbide diffusion coating    |   |                           |                      |
| <b>Connections</b>                       |  |   |                           |                      |
| Process                                  | 1/4-18 NPT (F)   | ANSI / ASME B1.20.1   |                           |                      |
| Instrument                               | Flanged  | DIN 19213   |                           |                      |
| Vent / Purge                             | 1/4-18 NPT (F)   | ANSI / ASME B1.20.1   |                           |                      |
| <b>Instrument mounting material</b>      |  |   |                           |                      |
| 1 Gasket                                 | PTFE   |   |                           |                      |
| 4 Bolts 7/16" UNF                        | AISI 316   |   |                           |                      |
| <b>Stem packing</b>                      | <b>Code</b>  | <b>P/T</b>  |                           | <b>Material</b>      |
| Teflon (PTFE)                            | xxx-01   | 413 barg 38°C 200 barg 230°C<br>6000 psig 100°F 3000 psig 450°F |                           | AISI 316 (L)         |
| VITON                                    | xxx-06   | 600 barg 38°C 200 barg 200°C<br>9000 psig 100°F 3000 psig 400°F |                           | AISI 316 (L)         |
| Grafoil                                  | xxx-05   | 413 barg 38°C 200 barg 230°C<br>6000 psig 100°F 3000 psig 450°F |                           | AISI 316 (L)         |
| Other packingmat.                        | Sillicon, Kalrez, Supagraf Premier, EPDM, Elast-o-lion |   |                           |                      |
| <b>Special alloys</b>                    |  |   |                           |                      |
|  | <b>Alloy 400</b>                                       | <b>Alloy C-276</b>  | <b>TITAN</b>              | <b>DUPLEX 1.4462</b> |
| Model                                    | xxx-02   | xxx-03  | xxx-04                    | xxx-20               |
| Stem packing                             | PTFE   | PTFE  | PTFE                      | VITON O-ring         |
|  | <b>Alloy 825</b>                                       | <b>Alloy 625</b>  | <b>Alloy 254Smo (6M0)</b> |                      |
| Model                                    | xxx-12 (825)   | xxx-12  | xxx-11                    | Other on request     |
| Stem packing                             | PTFE   | PTFE  | PTFE                      |                      |
| <b>Optional</b>                          |  |   |                           |                      |
| Oxygen cleaned                           |  |   |                           | xxx-xx/C             |
| 3/8" O.D. Swagelok® compression fitting  |  |   |                           | xxx-xx/SL38          |
| 10 mm O.D. Swagelok® compression fitting |  |   |                           | xxx-xx/SL10          |
| All operating devices T-bar operated     |  |   |                           | xxx-xx/SBRU          |
| Anti tamper key                          |  |   |                           | 59.003               |
| MonelK500 (NACE compliance)              |  |   |                           | xxx-xx5              |

# Model 277



**277-06/SBRU**

