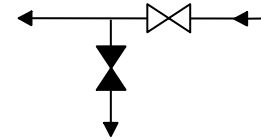
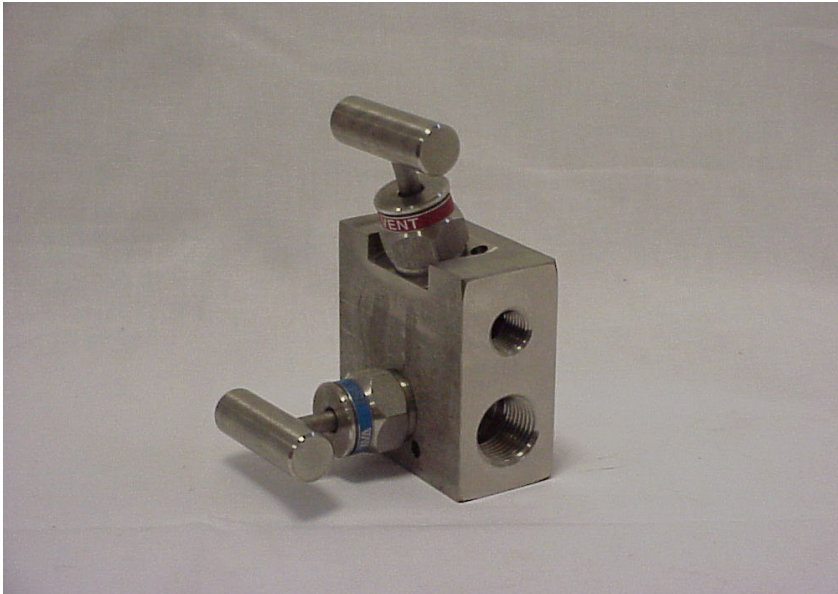




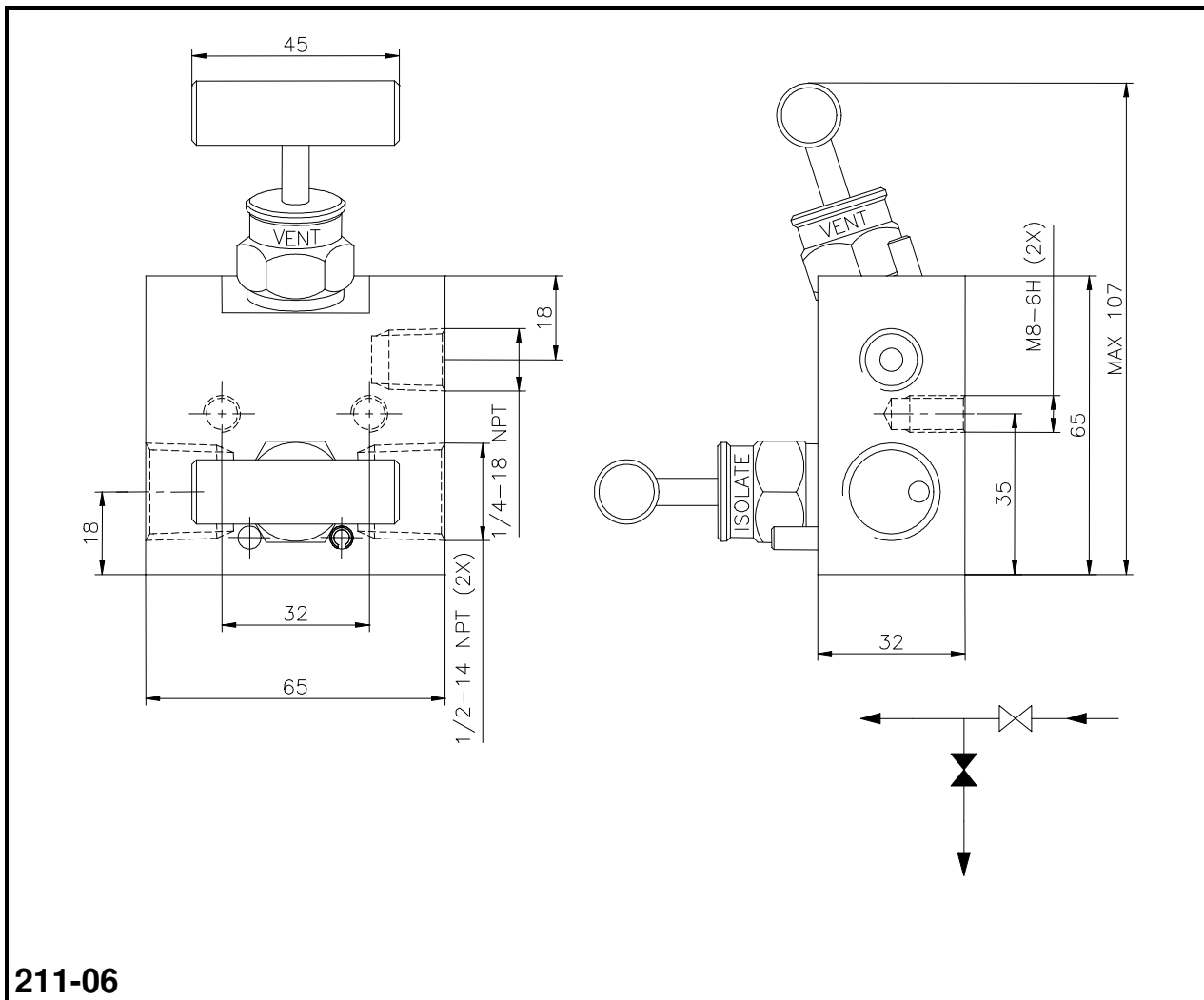
Model 211



PICTURE MODEL 211-06
2-VALVE GAUGE MANIFOLD FOR PANEL MOUNTING

Standard materials				
Body, Bonnet	AISI 316 L			
Needle point	Rotating ceramic ball Al ₂ O ₃			
Stem	AISI 316 Ti with chromium-carbide diffusion coating			
Connections				
Process	1/2-14 NPT (F)	ANSI / ASME B1.20.1		
Instrument	1/2-14 NPT (F)	ANSI / ASME B1.20.1		
Vent / Test	1/4-18 NPT (F)	ANSI / ASME B1.20.1		
Stem packing	Code	P/T		Material
Teflon (PTFE)	xxx-01	413 barg 38°C 6000 psig 100°F	200 barg 230°C 3000 psig 450°F	AISI 316 (L)
VITON	xxx-06	600 barg 38°C 9000 psig 100°F	200 barg 200°C 3000 psig 400°F	AISI 316 (L)
Grafoil	xxx-05	413 barg 38°C 6000 psig 100°F	200 barg 400°C 3000 psig 750°F	AISI 316 (L)
Other packingmat.	Sillicon, Kalrez, Supagraf Premier, EPDM, Elast-o-lion			
Special alloys				
	Alloy 400	Alloy C-276	TITAN	DUPLEX 1.4462
Model	xxx-02	xxx-03	xxx-04	xxx-20
Stem packing	PTFE	PTFE	PTFE	VITON O-ring
	Alloy 825	Alloy 625	Alloy 254Smo (6M0)	
Model	xxx-12 (825)	xxx-12	xxx-11	Other on request
Stem packing	PTFE	PTFE	PTFE	
Optional				
Oxygen cleaned				xxx-xx/C
G-threaded connections				xxx/B -xx
All connections G-threaded ¼				xxx/B14-xx
Vent ½"NPT F (standard is ¼"NPT F)				xxx/V12-xx
10.000 psi solution				xxx/10K-xx
Stem material Monel K500 (NACE MR-01-75 compliant)				xxx-xx5
Mounting bracket				904, 906 or 906/P

Model 211



211-06

