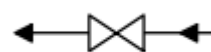




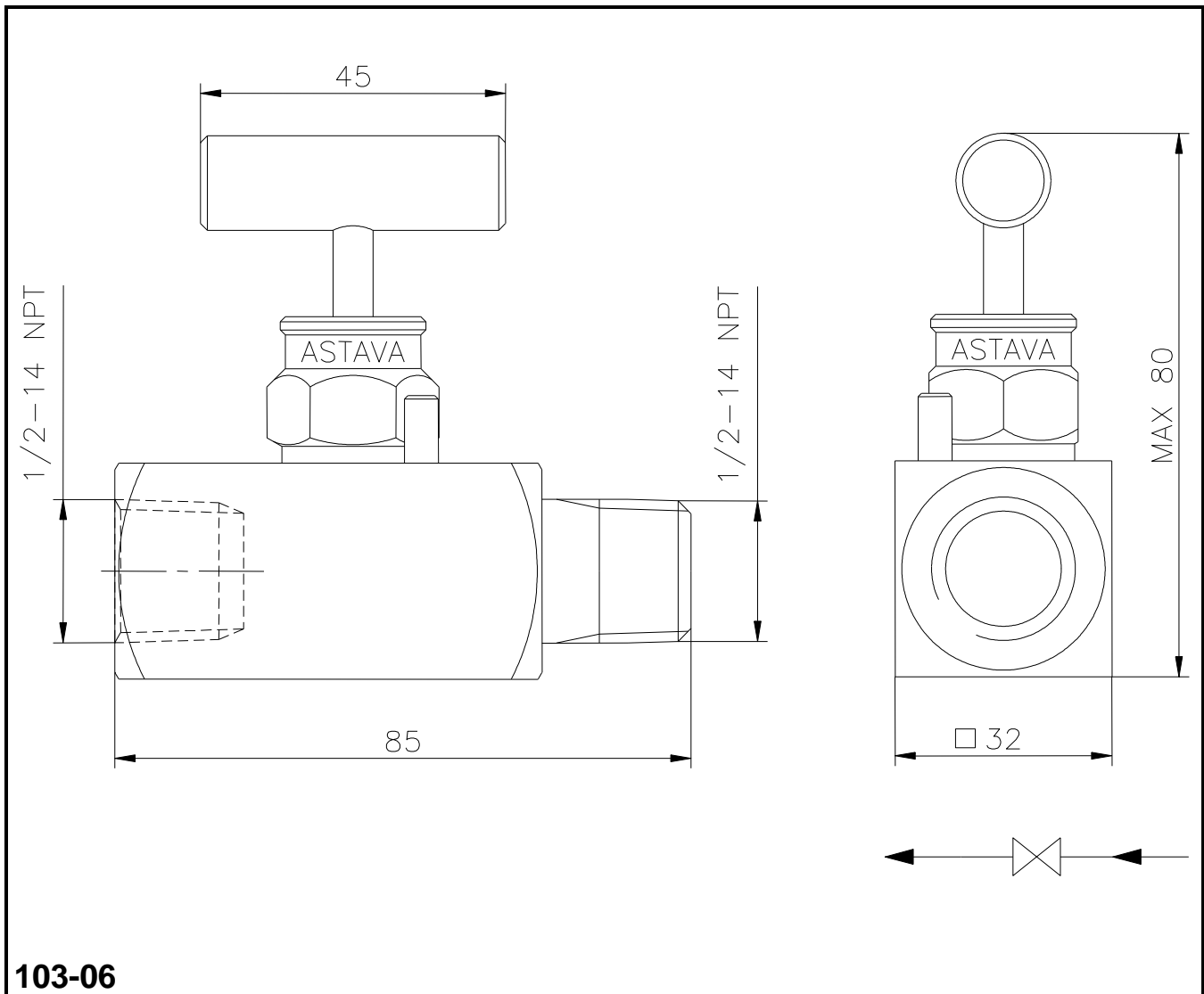
# Model 103



**PICTURE MODEL: 103-06**  
**NEEDLE VALVE**

<b>Standard materials</b>				
Body, Bonnet	AISI 316 L			
Needle point	Rotating ceramic ball Al <sub>2</sub> O <sub>3</sub>			
Stem	AISI 316 Ti with chromium-carbide diffusion coating			
<b>Connections</b>				
Process	1/2-14 NPT (M)	ANSI / ASME B1.20.1		
Instrument	1/2-14 NPT (F)	ANSI / ASME B1.20.1		
<b>Stem packing</b>	<b>Code</b>	<b>P/T</b>		<b>Material</b>
Teflon (PTFE)	xxx-01	413 barg 38°C 6000 psig 100°F	200 barg 230°C 3000 psig 450°F	AISI 316 (L)
VITON	xxx-06	600 barg 38°C 9000 psig 100°F	200 barg 200°C 3000 psig 400°F	AISI 316 (L)
Grafoil	xxx-05	413 barg 38°C 6000 psig 100°F	200 barg 400°C 3000 psig 750°F	AISI 316 (L)
Other packingmat.	Sillicon, Kalrez, Supagraf Premier, EPDM, Elast-o-lion			
<b>Special alloys</b>				
<b>Alloy 400</b>	<b>Alloy C-276</b>	<b>TITAN</b>	<b>DUPLEX 1.4462</b>	
Model	xxx-02	xxx-03	xxx-04	xxx-20
Stem packing	PTFE	PTFE	PTFE	VITON O-ring
<b>Alloy 825</b>	<b>Alloy 625</b>	<b>Alloy 254Smo (6M0)</b>		
Model	xxx-12 (825)	xxx-12	xxx-11	Other on request
Stem packing	PTFE	PTFE	PTFE	
<b>Optional</b>				<b>Add code</b>
Oxygen cleaned				xxx-xx/C
All connections 1/4" NPT (process conn. Male, Instrument conn. Female)				xxx/14-xx
G-threaded connections				xxx/B -xx
All connections G-threaded 1/4				xxx/B14-xx
MonelK500 (NACE compliance) stem				xxx-xx5
Mounting bracket				904, 906 or 906/P
10.000 psi solution				xxx/10K-xx

# Model 103



**103-06**

