

Pressure Regulators for CO₂ Refrigerators

Highly Reliable Pressure Control by Application Oriented Sealing Technology



High Efficiency of CO₂ Cooling Systems

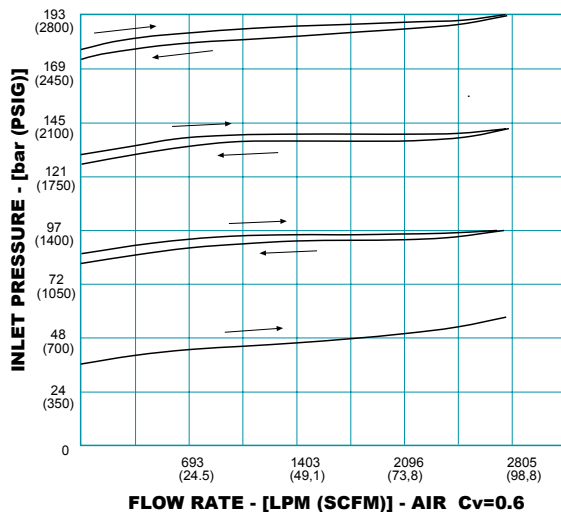
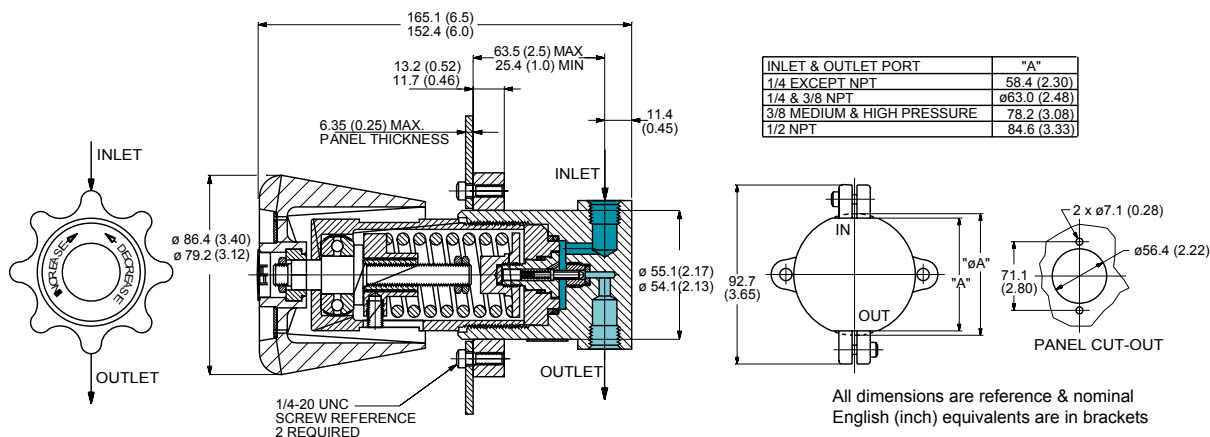
CO₂ offers some important advantages in cooling systems compared to conventional refrigerants due to its high efficiency and environmental effect. However, difficulties can occur during pressure control of the media in the compressor unit as CO₂ is penetrating into some materials such as the elastomer o-rings. In the case of a pressure reduction these o-rings can be destroyed by the CO₂ molecules. This phenomenon is often referred to as explosive decompression.

Tescom 26-1700 series back-pressure regulators can be ordered with a special o-ring material that can undergo pressure changes of CO₂ without any damage.

Product properties:

- long lifetime and high reliability
- high setability and good repeatability of the setpoint
- variety of standard connection sizes and standards

Additional Information on Back-Pressure Regulator 26-1700 series for CO₂ cooling systems



Represented by:

Contact TESCOM:

North America

USA
T +1 800 447 1250
+1 763 241 3238
F +1 763 241 3224
na.tescom@emerson.com
www.tescom.com

Europe

Germany
T +49 (0) 3 88 23/31-0
F +49 (0) 3 88 23/31-199
eu.tescom@emerson.com
www.tescom-europe.com

United Kingdom
T +44 1698 424254
F +44 1698 459299
uk.tescom@emerson.com
www.tescom-europe.co.uk

Asia Pacific

Republic of Korea
T +82 2 2017 4501
F +82 2 556 2365
apc.tescom@emerson.com
www.tescom.com

Middle East & Africa

United Arab Emirates
T +971 4 811 8100 x8446
F +971 4 886 5465
mea.tescom@emerson.com
www.tescom.com

TESCOM

©TESCOM Corporation, 2009; All Rights Reserved.
TESCOM is a business unit of Emerson Process Management Regulator Technologies, Inc.
Trademarks are property of divisions of Emerson Process Management.

DAPPLY17436XEN2 Rev. 9/09

EMERSON
Process Management