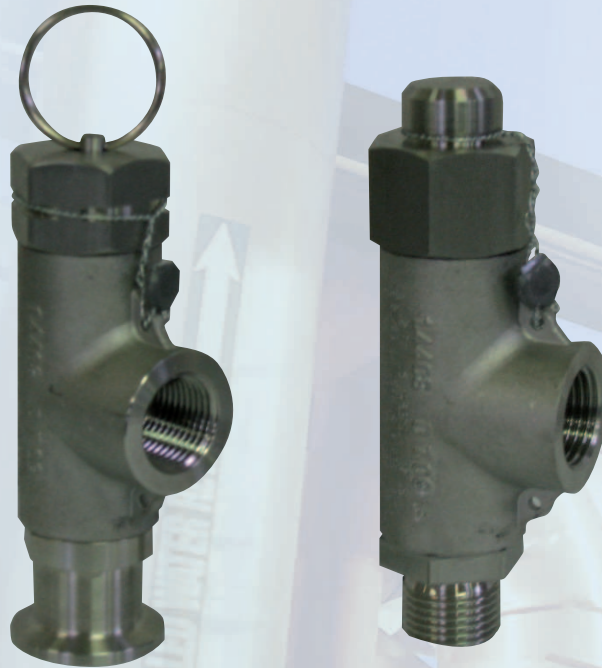


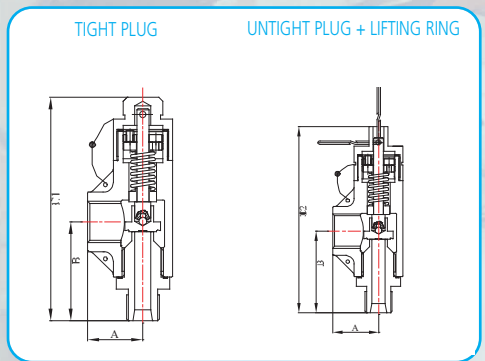
ISO 4126



Type 700



ND	08	10	15
INLET	1,4"	3/8"	1/2"
OUTLET		1/2"	
A		28	
B		50	
C1		114	
C2		107	
SET PRESSURE MAXI		12 bar	
SET PRESSURE MINI		0,2 bar	

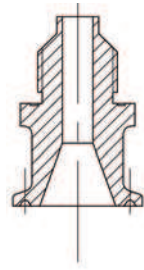


Connection

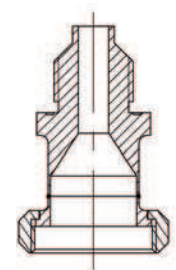
SCREWED CONNECTION



CLAMP CONNECTION

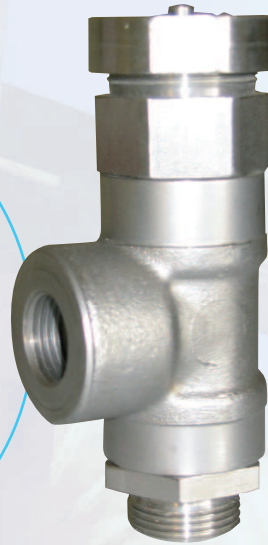


SMS CONNECTION



Special design

HIGH PRESSURE



Order information

TYPE	PLUG	CONNECTION	MATERIAL	PN/CLASS	DN PN10 + NPT
7	1 TIGHT	0 - SCREWED / THREADED BSP 7 - ATMOSPHERE	I- STAINLESS STEEL	R - PN16	DN 08 (1/4")
	2 TIGHT	0 - CLAMP / THREADED BSP 2 - SMS / THREADED		R - PN10	DN 10 (3/8")
	5 UNTIGHT + LEVER	0 - SCREWED / THREADED BSP		R - PN16	DN 15 (1/2")
	6			R - PN16	DN 20 (3/4")
7	TIGHT+ + LEVER				