

Electrically actuated butterfly valves VEP K4-PVDF



- ND 65 to ND 200
- In-line pattern
- Electric actuator, Position index
- Manual operating for immediate action

APPLICATIONS

Electrically actuated butterfly valves are useful to stop the flow of fluids in part of a plant. Opened they do not induce pressure drop. These models in plastics are designed for aggressive liquids.

Assistance with manual operating for maintenance or emergency operations (*actuator power supply is switched off before a manual operating*).

TECHNICAL FEATURES

Valve materials

Body: GF PP
 Butterfly : PVDF
 Seals: FPM
 Process connections: Between flange (*Wafer*)
 Pressure: 10 bar as maxima

90° electric actuator

Power : 45W
 Duty rating: 30% (ND 65 ... ND 100), 50% (ND 150 ... ND 200)

ND 65 ... ND 100

Movement: 10 ... 15s
 Protection: IP65
 Wiring: 1 cable gland ISO M20
 DIN 43650 plug; 3 wire + earth
 Main power input: 90...240 V AC 50/60 Hz and 90...350 V DC
 24 V AC 50/60 Hz and 24 V DC

ND 150

Movement: 30s
 Protection: IP67
 Wiring: 2 cable gland ISO M20
 Main power input: 90...240 V AC 50/60 Hz and 90...350 V DC
 15...30V AC 50/60 Hz, .../... 12...48V DC

ND 200

Movement: 60s
 Protection: IP67
 Wiring: 2 cable gland ISO M20
 Main power input: 90...240 V AC 50/60 Hz and 90...350 V DC
 15...30 V AC 50/60 Hz, .../... 12...48 V DC

OPTIONS *Upon request*

CODE NUMBERS AND REFERENCES

| d | ND | 24 V AC and 24 V DC (DN 65 ... DN 100) 15 V AC and 48 V DC (DN 150 and DN 200) | 90...240 V AC and 90...350 VDC |
|-----|-----|---|--------------------------------|
| 75 | 65 | 914 649 | 914 654 |
| 90 | 80 | 914 650 | 914 655 |
| 110 | 100 | 914 651 | 914 656 |
| 160 | 150 | 914 652 | 914 657 |
| 225 | 200 | 914 653 | 914 658 |

BAMO MESURES

22, Rue de la Voie des Bans - Z.I. de la Gare - 95100 ARGENTEUIL
 Tél : (+33) 01 30 25 83 20 - Web : www.bamo.fr
 Fax : (+33) 01 34 10 16 05 - E-mail : info@bamo.fr

Electrically actuated
butterfly valves

VEP K4-PVDF

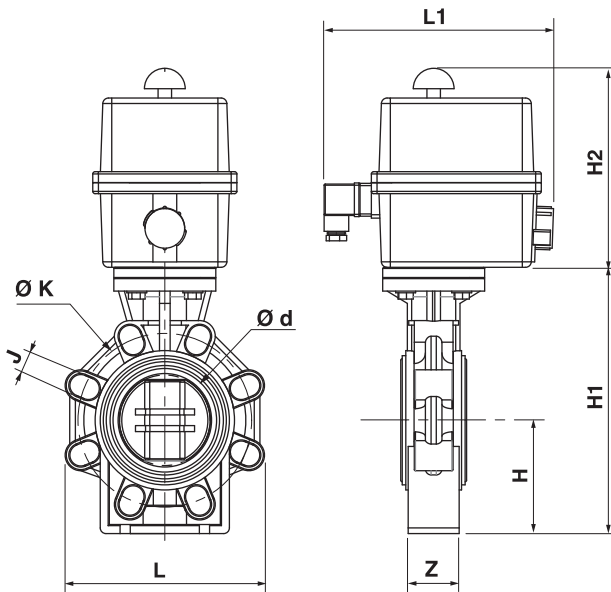
29-11-2011

914 I1 09 A

PLAS

914-09/1

DIMENSIONS



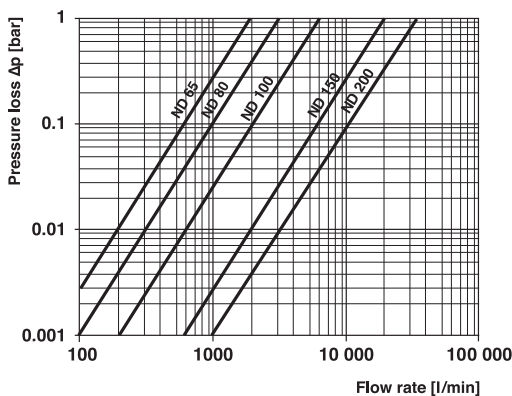
| ND | d | H | H1 | H2 | L | L1 | Z | K | J |
|-----|-----|-----|-----|-----|-----|-------|----|---------------|----|
| 65 | 75 | 100 | 232 | 177 | 133 | 205 | 46 | 127 / 145 | 19 |
| 80 | 90 | 100 | 239 | 177 | 176 | 205 | 49 | 146 / 160 | 19 |
| 100 | 110 | 115 | 269 | 177 | 206 | 205 | 56 | 175 / 190.5 | 19 |
| 150 | 160 | 148 | 333 | 258 | 261 | 275 | 70 | 234.5 / 241.5 | 23 |
| 200 | 225 | 175 | 395 | 258 | 314 | 275.6 | 71 | 290 / 298.5 | 23 |

Mounting flange torques

| ND | 65 | 80 | 100 | 150 | 200 |
|----|----|----|-----|-----|-----|
| Nm | 15 | 18 | 20 | 40 | 55 |

OPERATING FEATURES

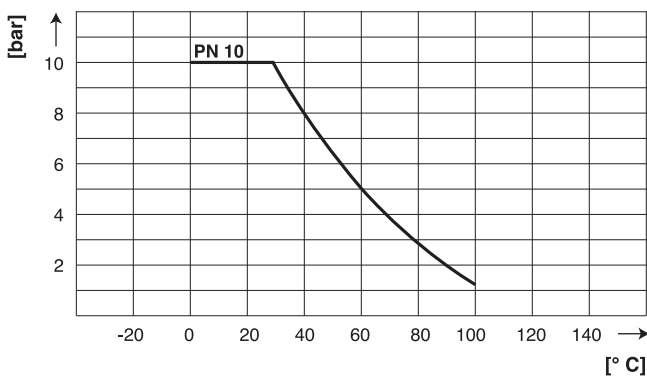
Pressure loss vs. Flow diagram [water at 20°C]



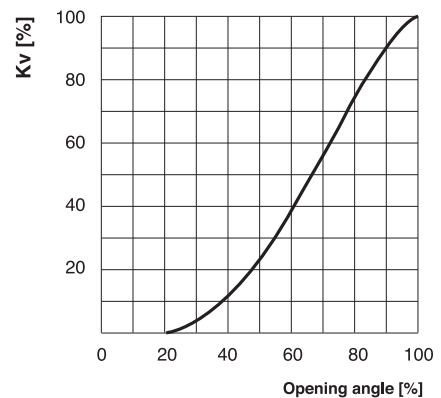
Kv value table

| | Pressure loss | |
|--------|---------------|------------|
| | 1 bar | 0.001 bar |
| ND 65 | 1900 l/min | 60 l/min |
| ND 80 | 3100 l/min | 100 l/min |
| ND 100 | 6000 l/min | 190 l/min |
| ND 150 | 19000 l/min | 600 l/min |
| ND 200 | 35000 l/min | 1100 l/min |

Pressure vs. temperature diagram



Flow characteristic



BAMO MESURES

22, Rue de la Voie des Bans - Z.I. de la Gare - 95100 ARGENTEUIL
 Tél : (+33) 01 30 25 83 20 - Web : www.bamo.fr
 Fax : (+33) 01 34 10 16 05 - E-mail : info@bamo.fr

Electrically actuated
butterfly valves

VEP K4-PVDF

29-11-2011

914 I1 09 A

PLAS

914-09/2