

# MAGNETIC FLOAT LEVEL CONTROLLER MNR 7



- Available in PVC – PPH - PVDF
- Up to 4 bi-stable change over contacts
- High switch power capacity
- Independent from density.
- Foam or vapors do not interfere
- Option for a continuous measurement  
(Specific documentation: 586-01 = RTM/MNR7)

## APPLICATIONS

- Automation ON/OFF of pumps and solenoid valves,
- Low and high alarm indication,
- Automatic tank filling up or draining, etc.

MNR7 series are suitable to non viscous, non sticky, liquids without magnetic and solids particles. The liquids may not crystallize.

## PRINCIPLE

Switches are mounted in the guide tube; they are actuated by the magnet built in the float, to allow 1 to 4 level detections within the application.

## DESCRIPTION

The housing is IP65 and the cable pass through a cable gland Pg PG9. Wiring is done on a screw terminal.

On the low end of guide tube, a blocking ring allows to take off the float before to fit the tube through a small diameter.

All wetted parts are in PVC, PP or PVDF in relation with the model.

## ORDERING

- Following is a cross table to built up your instrument. Please, verify the material compatibility with your chemical fluid and the limits of pressure and temperature with your process maxima.

- Our technicians may help you in MNR7 definition. Always mention the fluid in contact, concentration, process temperature and pressure.

- Note the exact distance of contact(s) measured as of the sealing surface. Consider the minimum distance between two contacts (100 mm) and dead zone we indicate on the drawings.

- Caution: the switching power of Reed contacts is 60 VA; you may protect them with a power relay (such as ES2001, documentation N° 250)

**BAMO MESURES**

22, Rue de la Voie des Bans - Z.I. de la Gare - 95100 ARGENTEUIL

Tél : (+33) 01 30 25 83 20 - Web : [www.bamo.fr](http://www.bamo.fr)

Fax : (+33) 01 34 10 16 05 - E-mail : [info@bamo.fr](mailto:info@bamo.fr)

**MAGNETIC FLOAT LEVEL  
CONTROLLER  
MNR 7**

02-09-2008

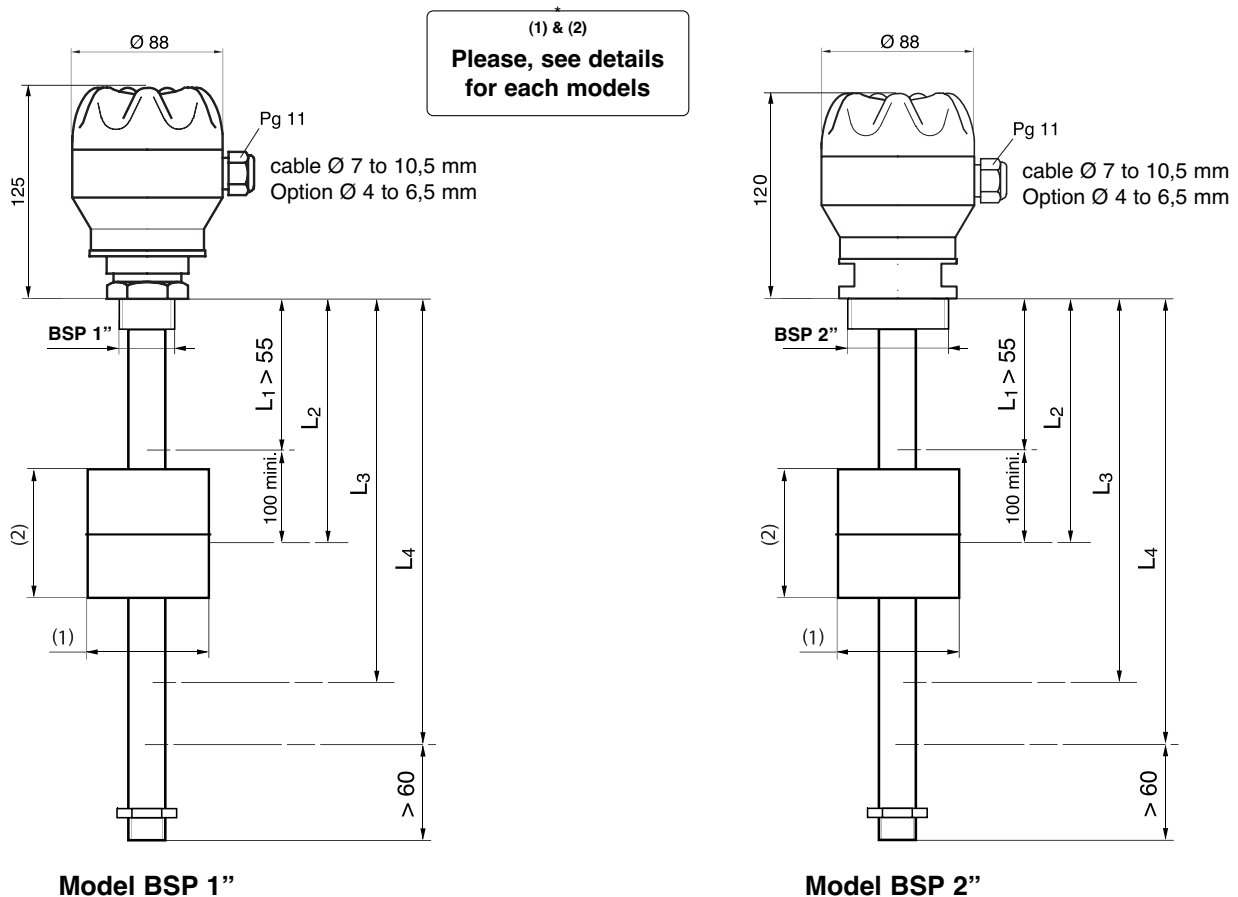
550 I1 01 E

**NIV**

**550-01/1**

REFERENCE	MNR 7 / PVC	MNR 7 / PPH	MNR 7 / PVDF	MNR 7 / PVC	MNR 7 / PPH	MNR 7 / PVDF
Code (acc. to contacts number)	550 101...4	550 201...4	550 301...4	550 121...4	550 221...4	550 321...4
Housing	PBT Head fiber glass reinforced – protection IP 65					
Guiding Tube	PVC	PPH	PVDF	PVC	PPH	PVDF
Float material	PPH		PVDF	PPH		PVDF
Float diameter (1)	52 mm		78 mm	52 mm		78 mm
Float height (2)	72 mm		70 mm	72 mm		70 mm
Process connection	BSP 1"			BSP 2"		
Option*: flange PN 10	DN 100 (550 120)	DN 100 (550 220)	DN 100 (550 320)			
Maximum length	2 500 mm					
Minimum length	250 mm					
Minimum specific weight	750 g / L					
Pressure higher limit	1 bar at 20°C					
Temperature limits	0 ... +60 °C	0 ... +80 °C	0 ... +110 °C	0 ... +60 °C	0 ... +80 °C	0 ... +110 °C
Contact, code number	550 050					
Switching power capacity	60 VA					
Distance between 2 contacts	≥100 mm					
Accuracy	± 2 mm					
Hysteresis	8 mm					
Upper dead zone	55 mm					
Lower dead zone	60 mm					

\*: The flange DN 100 (option), allows an installation without float disassembling.



### CONTACTS - WIRING

The Reed contacts are bi-stable change over contacts. Their switching power is 60 VA / 220 V / 0,5A  
Wiring is on screw terminals with index of level switches.

**BAMO MESURES**

22, Rue de la Voie des Bans - Z.I. de la Gare - 95100 ARGENTEUIL

Tél : (+33) 01 30 25 83 20 - Web : [www.bamo.fr](http://www.bamo.fr)

Fax : (+33) 01 34 10 16 05 - E-mail : [info@bamo.fr](mailto:info@bamo.fr)

**MAGNETIC FLOAT LEVEL  
CONTROLLER  
MNR 7**

02-09-2008

550 I1 01 E

**NIV**

**550-01/2**