

FLOW SENSOR BAMOFLU 100



- Wetted parts: PPH - PVDF – Stainless steel
- Speed flow range: 0.8 to 10 m/s
- Power supply: 24 V DC
- No pressure drop
- Fittings:
PVC - PPH – PVDF Tees
Stainless steel weld-on adaptors
Collars
- Output: square pulses
- Loaded fluids: particles < 2%
- From DN 15 to DN 600

PRINCIPLE

The flowing fluid maintains in rotation the five blades rotor. Each blade has a built-in magnet, not in contact with the fluid. The magnetic field variation induces a pulsating signal with its frequency proportional to the fluid speed. Our sensor emits a signal frequency about 38 to 45 Hz/m/s (depending of process parameters).

This measurement method assures an excellent response with flow velocity (the minimal flow velocity is 0.8 m/s). The flow could be loaded up to 2% of non magnetic particles. The fluid viscosity value should be between 0.5 to 20 cSt at process temperature, otherwise a calibration on site is necessary.

MOUNTING

Flow sensor and installation fittings are available for pipes from DN 15 to DN 600, in stainless steel, PVC, PPH and PVDF. Te fittings are available from DN 15 to DN 50, and collars from DN 40 to DN100. Weld on adaptors in stainless steel are convenient from DN 50 to DN 600; same figures for glued or polyfusion adaptors proposed in PVC, PPH and PVDF. The sensor works in any position and on both flow directions. It is necessary to respect pipe straight lengths upstream and downstream in order to avoid turbulences.

TECHNICAL FEATURES

Output frequency:	38 to 45 Hz (depends of process) Square signal 5 to 24 V DC
Power supply:	24 V DC - 30 mA Sensor protection against reversed polarity
Speed flow range:	0.8 to 10 m/s
Accuracy:	±1% full scale
Repeatability:	±0.5 %
Linearity:	±1 %
Maximal pressure:	10 bar at 20°C / PPH, PVDF 25 bar / Stainless steel
Maximal temperature:	85°C / PPH – 100°C PVDF, Stainless steel 316 L
Body sensor:	PPH – PVDF – Stainless steel 316 L
Rotor:	5 blades in E-CTFE (Halar)
Rotor bearings:	Ceramic (AL2O3)
Sealing:	O-ring FPM on standard – EPDM on request
Wiring:	With DIN 43650 plug - IP65



Flow rate and totalization with monitor
BIF 6040

BAMO MESURES

22, Rue de la Voie des Bans - Z.I. de la Gare - 95100 ARGENTEUIL
Tél : (+33) 01 30 25 83 20 - Web : www.bamo.fr
Fax : (+33) 01 34 10 16 05 - E-mail : info@bamo.fr

FLOW SENSOR BAMOFLU 100

28-07-2008

780 I1 01 K

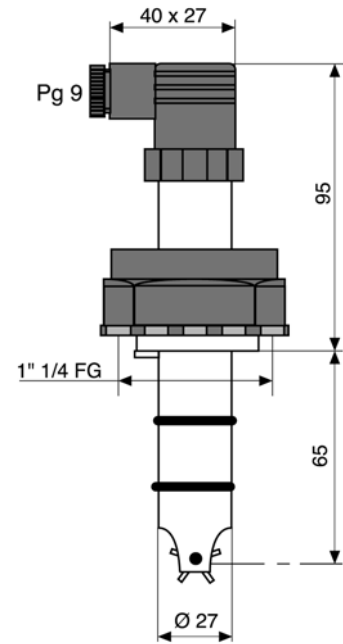
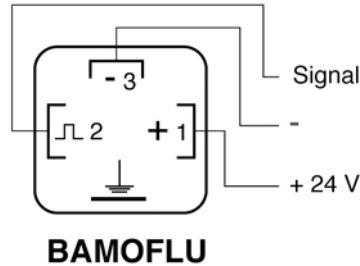
DEB

780-01/1

CODE NUMBERS AND REFERENCES

Code	Reference	Material
780 125	BAMOFLU 100 PPH	PPH
780 150	BAMOFLU 100 PVDF	PVDF
780 175	BAMOFLU 100 stainless steel	stainless steel 316L

WIRING



PANEL MOUNTING INSTRUMENTATION

All our display monitors are supplied with a calibration to the parameters confirmed on the order; please specify: maximal flow rate, pipe internal diameter. For programmable equipment the configuration is saved on internal memory type EEPROM.

Flow rate / Totalization BIF 6040

The BIF 6040 indicates (red LED) the flow-rate, the totalization in any unit. Configuration is achieved on site without frequency generator. It includes the power supply to the sensor on 24 V DC. Housing: panel mounting DIN 48 x 96 (please see the documentation 282).

PROGRAMMABLE COUNTER BCP 48

The BCP 48 indicates (LCD display) totalization and allows a dosage (counter – discounter) in any units. Configuration is achieved on site without frequency generator.

It includes the power supply to the sensor / 12 V DC (perfect for standard BAMOFLU). Housing: panel mounting DIN 45 x 45 (please see the documentation 289).

TRANSMITTER BAMOTOP 281

This blind converter receives the frequency signal from the BAMOFLU and converts it to an analogical signal 0/4-20 mA or 0/2-10 V. The transmitter is supplied with a calibration to the parameters confirmed on the order; please specify: maximal flow rate, pipe internal diameter. . It includes the power supply to the sensor / 12 V DC (perfect for standard BAMOFLU). Housing: Rail DIN 35, main supply 230 V / 50-60 Hz (please see the documentation 281).

All our display monitors are supplied with a calibration to the parameters confirmed on the order; please specify: maximal flow rate, pipe internal diameter. For programmable equipment the configuration is saved on internal memory type EEPROM.



BIF 6040



BCP 48



BAMOTOP 281

BAMO MESURES

22, Rue de la Voie des Bans - Z.I. de la Gare - 95100 ARGENTEUIL
 Tél : (+33) 01 30 25 83 20 - Web : www.bamo.fr
 Fax : (+33) 01 34 10 16 05 - E-mail : info@bamo.fr

**FLOW SENSOR
 BAMOFLU 100**

28-07-2008

780 I1 01 K

DEB

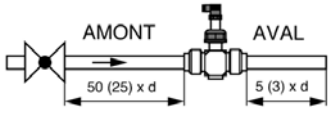
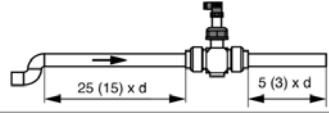
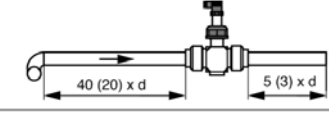
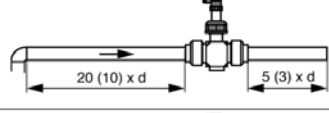
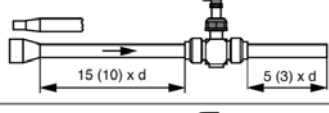
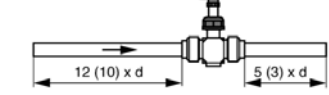
780-01/2

SENSOR INSTALLATION

To obtain a reliable measurement, it is necessary to respect following conditions:

- the pipe has to be always full of fluid
- never a gaseous phase exists
- Flow velocity should be between 0.8 and 10 m/s

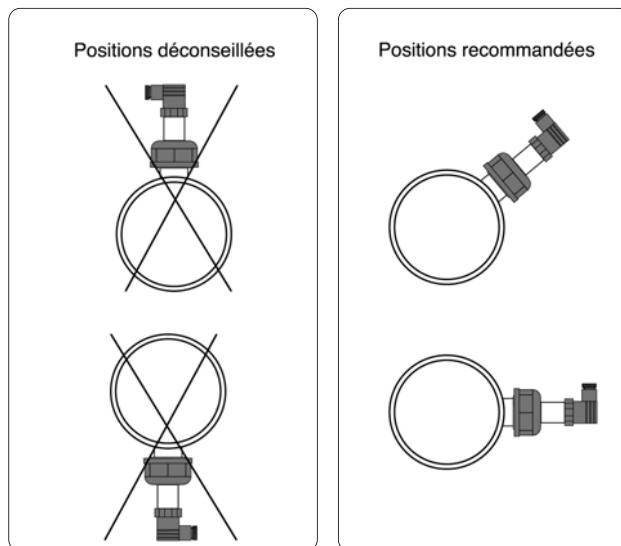
STRAIGHT LENGTH REQUIRED

Regulation valve	
2 elbows, angle 90° on the same orientation surface	
2 elbows, angle 90° different orientation surfaces	
1 elbow on a Te	
Enlargement or reduction coupling	
Straight pipe	

According to standard NF X 10 – 102 (DIN 1952)

MOUNTING POSITION

It is important to respect straight lengths upstream and downstream to avoid turbulences. The BAMOFLU can be mounted in any position. However, it is required to install the sensor with a light angle from vertical axis: because of air bubbles or particle deposits.



Te - FITTINGS

PVC, PPH, PVDF or stainless steel 316L Tees are available for pipes from DN 15 to DN 50. Complete with 2 half socket unions and FPM O Rings. Flange connection or socket ends for solvent welding /gluing are on request.

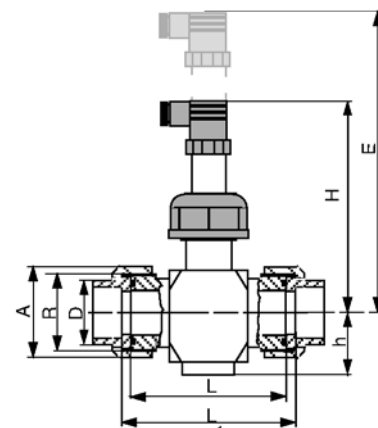
For nominal diameters DN 15 to DN 300, we can supply 250 mm long coupling sleeve with flanges (all materials) on request.

Flow pipe: DN 15 (Ø 20 mm) to DN 50 (Ø 63 mm)

Maximal pressure: 10 bar at 20°C

Maximal temperature: Depending of material
Or fitting material limits

Connections: Female solvent sockets - PVC
Female welding sockets - PPH - PVDF



DN	D	R	A	L	L1	h	H	E	Code number			
									PVC	PPH	PVDF	
				mm								
15	20	1"	40.5	120	124	37	168	243	780 205	780 240	780 260	
20	25	1" 1/4	50	120	126	35	170	245	780 207	780 242	780 262	
25	32	1" 1/2	57.5	120	128	32	173	248	780 209	780 244	780 264	
32	40	2"	71.5	120	128	48	177	252	780 211	780 246	780 266	
40	50	2" 1/4	79	120	124	42	181	256	780 213	780 248	780 268	
50	63	2" 3/4	98	120**	124**	49	180	255	780 215	780 250	780 270	

** Size not valid if PVDF material

BAMO MESURES

22, Rue de la Voie des Bans - Z.I. de la Gare - 95100 ARGENTEUIL

Tél : (+33) 01 30 25 83 20 - Web : www.bamo.fr

Fax : (+33) 01 34 10 16 05 - E-mail : info@bamo.fr

FLOW SENSOR BAMOFLU 100

28-07-2008

780 I1 01 K

DEB

780-01/3

COLLARS

Only for mounting on plastic pipes (PVC, PE or PPH), we propose pipes collars in PPH with NBR O-ring (EPDM or FPM on request). Screws are in galvanized steel. Plastic pipes are considered as PN 10, if any other specification please consults us. The collars are supplied with the special fitting for BAMOFLU with a threaded socket. The complete assembly respects the mounting position $0.12 \times \varnothing$; the manual gives all the detailed information.

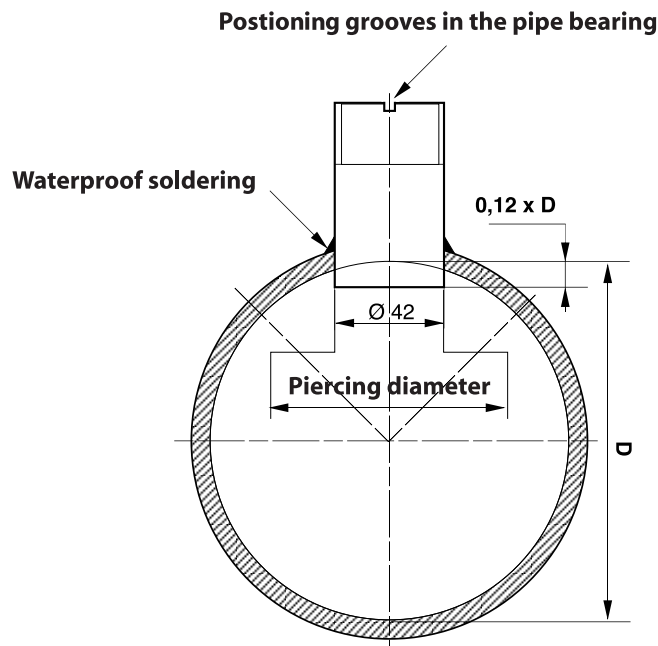
Pipes: DN 40 (Ø 50 mm) to DN 100 (Ø 110 mm)
 Maximal pressure: 10 bar at 20°C
 Maximal temperature: 55°C

DN	Ø d	L	H	E	Reference	Code
40	50	104	236	346	COL 50	780 901
50	63	116	240	350	COL 63	780 906
65	75	134	244	354	COL 75	780 911
80	90	152	249	359	COL 90	780 916
100	110	176	255	365	COL 110	780 921

WELD-ON ADAPTORS BF 150

Available for pipes DN 50 as a minimum, in stainless steel 316L, PVC, PPH or PVDF. The adaptor allows sensor mounting on pipe. For mounting with weld-on adaptors, it is important to respect the distances specified on the drawing, in accordance with the standard ISO 7145-1982.

Reference	Code	Designation
BF 150-I	780 200	Weld-on adaptor in stainless steel
BF 150-PVC	780 201	Weld-on adaptor in PVC
BF 150-PPH	780 202	Weld-on adaptor in PPH
BF 150-PVDF	780 203	Weld-on adaptor in PVDF



BAMO MESURES

22, Rue de la Voie des Bans - Z.I. de la Gare - 95100 ARGENTEUIL

Tél : (+33) 01 30 25 83 20 - Web : www.bamo.fr

Fax : (+33) 01 34 10 16 05 - E-mail : info@bamo.fr

**FLOW SENSOR
BAMOFLU 100**

28-07-2008

780 I1 01 K

DEB

780-01/4