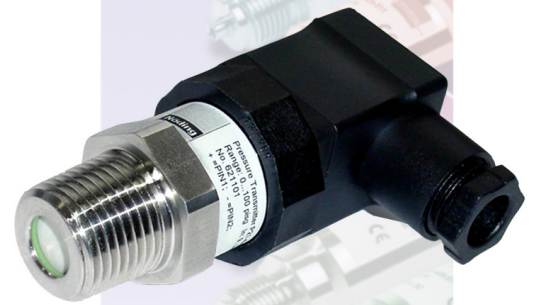


- Connection with dry and flush ceramic sensor
- Ranges from 250 mbar up to 100 bar
- Accuracy $\leq 0.5\%$
- Compact and rugged design
- Multiple process connections
- Different electrical connections
- Analog output: 4...20 mA, 2-Leiter
0.5...4.5 V, 0...5V, 0...10 V, 3-Leiter



Pressure Transmitter P 21

Technical data:

Pressure range:	0...250 mbar up to 0...100 bar -1...5 bar up to -1...25 bar
Output signal:	4...20 mA, 2-wire, 0.5...4,5 V, 0...5 V, 0...10 V, 3-wire
Accuracy:	$\leq \pm 0.5\%$ FS @ 25°C
Response time:	60 ms (others on request)
Power supply:	9...30V DC, 20 mA/5 V output 5V DC, 0.5...4,5 V output 15...30V DC, 10V output
Ambient temperature:	-25...80 °C (-25...120 °C)
Process temperature:	-25...100 °C (-25...125 °C)
Temperature coeff.:	$\leq \pm 0.03\%$ FS/K (zero) $\leq \pm 0.02\%$ FS/K (span)
Long term stability:	$\leq \pm 0.5\%$ FS p. a.
Process connection:	stainless steel 1.4404 (316L)
Sensor:	ceramic AL ₂ O ₃
Electrical connection:	connector EN 175301-803A, IP67 Quickon connector, IP 67 connector M12x1, IP 67 cable connection, IP68 (<1mWC)

Nöding

Meßtechnik

Range	Code	Overload (bar)
0...250 mbar / 0...25 kPa **)*)	02	-0.15/1
0...300 mbar / 0...30 kPa **)*)	X5	-0.15/1
0...400 mbar / 0...40 kPa **)*)	03	-0.15/1
0...500 mbar / 0...50 kPa	B7	-0.15/1
0...600 mbar / 0...60 kPa	04	-0.2/2
0...1 bar / 0...100 kPa	05	-0.2/2
0...1.6 bar / 0...160 kPa	06	-0.4/4
0...2 bar / 0...200 kPa	B3	-0.4/4
0...2.5 bar / 0...250 kPa	07	-0.8/10
0...3 bar / 0...300 kPa	X3	-0.8/10
0...4 bar / 0...400 kPa	08	-0.8/10
0...5 bar / 0...500 kPa	F1	-0.8/10
0...6 bar / 0...600 kPa	09	-1/20
0...10 bar / 0...1 MPa	10	-1/20
0...16 bar / 0...1.6 MPa	11	-1/40
0...20 bar / 0...2 MPa	B5	-1/40
0...25 bar / 0...2.5 MPa	12	-1/40
0...40 bar / 0...4 MPa **)*)	13	-1/100
0...50 bar / 0...5 MPa **)*)	F3	-1/100
0...60 bar / 0...6 MPa **)*)	14	-1/200
0...100 bar / 0...10 MPa **)*)	15	-1/200
-1...5 bar / -100...500 kPa	D9	-1/20
-1...9 bar / -100...900 kPa	E1	-1/20
-1...15 bar / -0.1...1.5 MPa	E2	-1/40
-1...19 bar / -0.1...1.9 MPa	E3	-1/40
-1...25 bar / -0.1...2.5 MPa	E7	-1/40

*) Accuracy 1% Absolutpressure on request
 **) not with G 1/2" Connection

Output signal

- 1 0...10 V 3-wire
- 4 4...20 mA 2-wire (signal range 3.7...20.5 mA)
- 8 0...5 V 3-wire
- A 0.5...4.5 V 3-wire, ratiometric

Range

- Measurement range see table
- 99 non-standard range

Process connection and material

- 1 G 1/2 A DIN 3852 1.4404 (316L)
- 2 1/2-14 NPT 1.4404 (316L) (on request)
- F G 1 A DIN 3852 1.4404 (316L) (on request)
- Q G 3/4" DIN 3852 1.4404 (316L) (on request)
- X Clamp DIN DN 10...20, 1.4404 (316L)
- 9 others (on request)

Sensor seal

- 1 FPM (Viton) standard
- 2 NBR (Nitril)
- 3 EPDM (Kautschuk)
- 9 others (on request)

Electrical connection

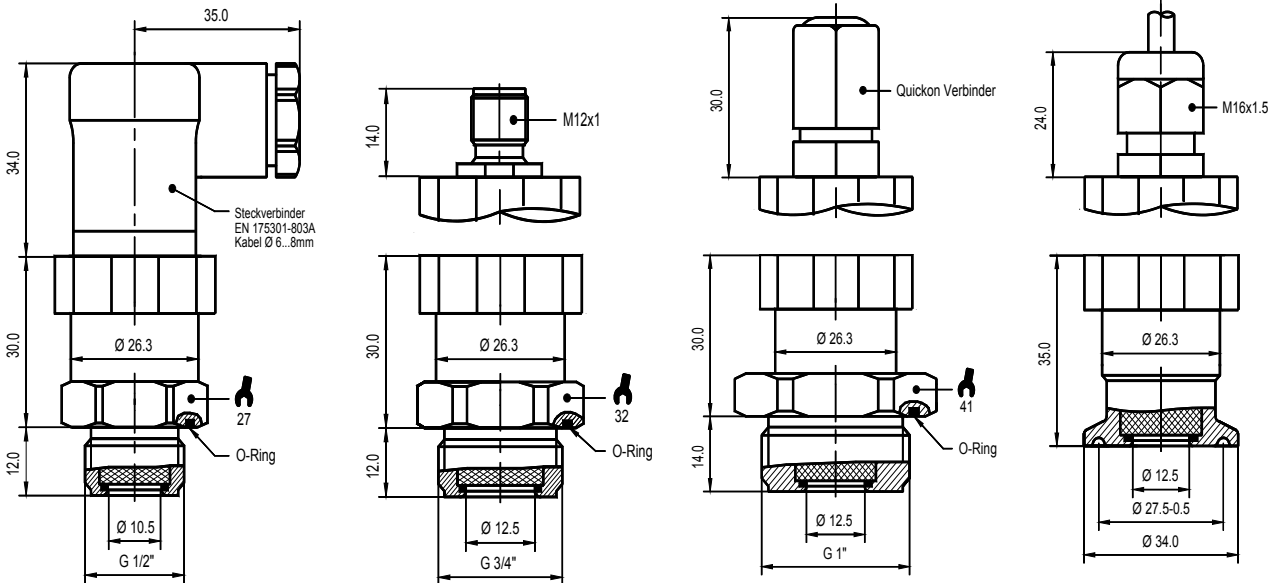
- 0 5m cable, IP 68 (<1mWC)
- 1 Connector EN 175301-803A IP 67
- 6 2m cable IP 68 (<1mWC)
- A Connector M12x1, IP 67
- F Quickon-Connector IP 67
- H 10m Cable, IP 68 (<1mWC)
- 9 others (on request)

Pottet electronic

- 0 without pottet electronic
- 1 pottet electronic

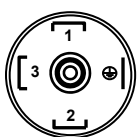


Dimensions (mm)



Electrical connections

Connector EN175301-803-A



- 4...20 mA 2-wire
- PIN1 Signal +
- PIN2 Signal -
- 0...10V 3-wire
- PIN1 in +
- PIN2 in -
- PIN3 out +

Quickon-Connector



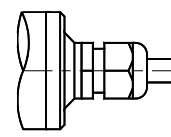
- 4...20 mA 2-wire
- PIN1 Signal +
- PIN2 Signal -
- 0...10V 3-wire
- PIN1 in +
- PIN2 in -
- PIN3 out +

Connector M12x1, 4-pin



- 4...20 mA 2-wire
- PIN1 Signal +
- PIN2 Signal -
- 0...10V 3-wire
- PIN1 in +
- PIN3 in -
- PIN4 out +

Cable connection



- 4...20 mA 2-wire
- red Signal +
- black Signal -
- 0...10V 3-Leiter
- red in +
- black in -
- white out +

Modifications reserved without notice 02.10