

# BASIN LATERAL MONITOR & PROBE HOLDER 8306



- For immersion probes 9336 and 9346
- Totally modular
- All stainless steel and aluminium
- Monitor protection
- Adjustable on any angle, rotation on 360°
- Translation on both axes
- Easy installation

## DESCRIPTION

This holder is designed for pH / ORP / Oxygen electrode holders, immersion probes by side of a basin or an open channel (see page 130, 135 & 460). They allow an easy adaptation with adjustable distances and orientation on 360° angle to clear of:

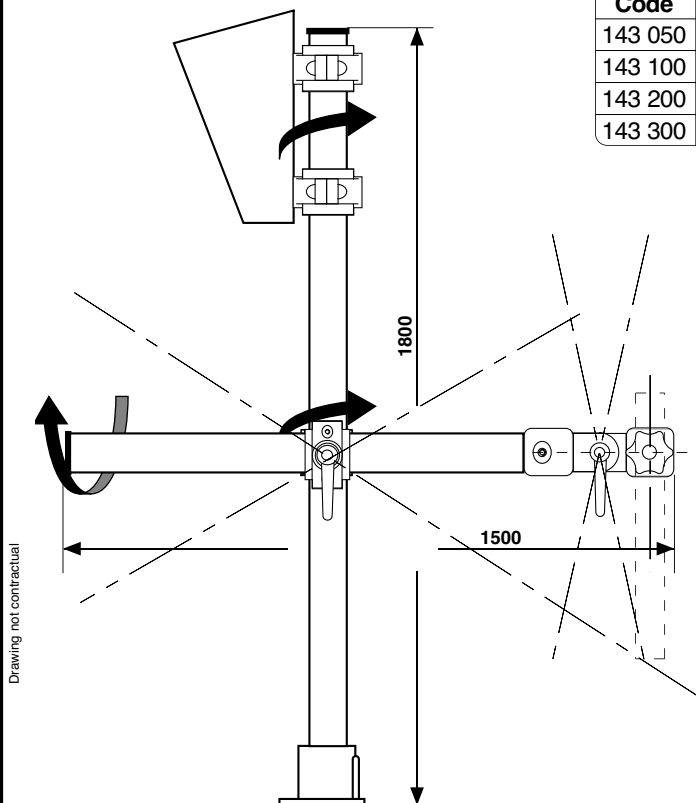
- . barrier,
- . post,
- . border.

Equipped with an open cabinet where the monitor is protected and the display is still readable.

The base and junction devices are made of aluminium; Tubes are made of stainless steel.

## CODE NUMBERS AND REFERENCES

Code	Reference	Designation
143 050	8300	Holder, stand for 1 monitor (without arm)
143 100	8336	Holder, stand for 1 immersion probe 9336 and 1 monitor
143 200	8346	Holder, stand for 1 immersion probe 9346 and 1 monitor
143 300	8386	Holder, stand for Oxygen probe and 1 monitor



**BAMO MESURES**

22, Rue de la Voie des Bans - Z.I. de la Gare - 95100 ARGENTEUIL

Tél : (+33) 01 30 25 83 20 - Web : [www.bamo.fr](http://www.bamo.fr)

Fax : (+33) 01 34 10 16 05 - E-mail : [info@bamo.fr](mailto:info@bamo.fr)

**BASIN LATERAL MONITOR  
& PROBE HOLDER**

**8306**

29/08/2007

143 I1 01 B

**pH**

**143-01/1**