

**Sensitive/Back Pressure**  
 controlled pressure ranges up to 250 PSIG (17 bar)  
 high flow/high accuracy

# 26-2300 Series

## Specifications

- ❑ **Operating Parameters**
  - pressure rating per criteria of ANSI/ASME B31.3
  - maximum controlled pressure ranges:
    - 0-50, 0-150, 0-250 PSIG (0-3.5, 0-10.3, 17 bar)
  - design proof pressure . . . . . 150% maximum rated pressure
  - leakage . . . . . bubble-tight
  - operating temperature<sup>1</sup> . . . . . -40° F to +165° F (-40° C to +74° C)
  - flow capacity . . . . . C<sub>v</sub> = .60
  - maximum operating torque . . . 25 in.-lbs. (2.8 Nm)

<sup>1</sup>For extended temperatures from -40°F to +400°F, please consult TESCOM.

- ❑ **Media Contact Materials**
  - body . . . 303 SST, 316 SST or Aluminum 2024-T351
  - diaphragm . . . . . Buna-N
  - main valve seat . . . . . Teflon®
  - o-ring . . . . . Buna-N
  - seals . . . . . Teflon®
  - remaining parts . . . . . 300 Series Stainless Steel

- ❑ **Cleaning** . . . . . CGA 4.1 and ASTM G93

- ❑ **Weight** . . . . . Stainless models 2.25 lb. (1.1 kg)  
 Aluminum model 1.25 lb. (.55 kg)

**Pressure Conversion** 14.2235 PSIG = 1 kg/cm<sup>2</sup> 145 PSIG = 1 MPa

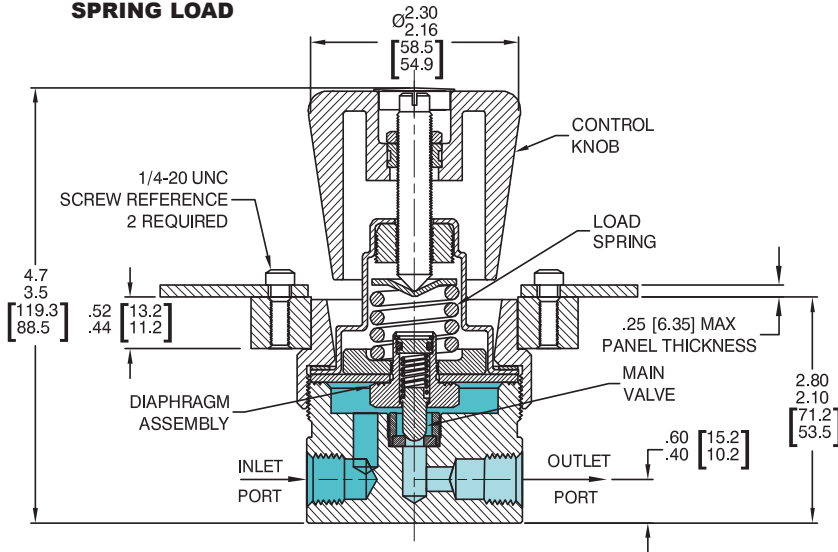
Teflon® is a registered trademark of DuPont.



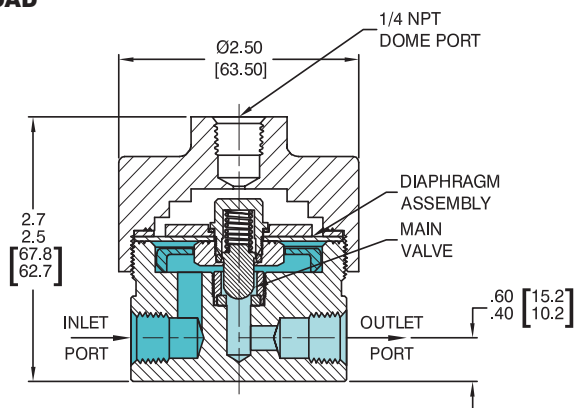
## Advantages

- Crack to reseal - 2% of set pressure
- Easily adjusted, low torque handknob control
- Bubble-tight shutoff at all reseal pressures
- Four flow capacities available:
  - C<sub>v</sub> = .60 standard
  - C<sub>v</sub> = 1.0, .12, .06 optional
- Spring, dome and air loaded models available
- Panel mounting standard
- Compatible with TESCOM ER3000 Electropneumatic PID controller

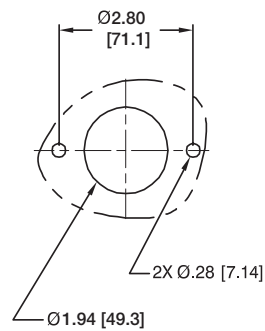
**SPRING LOAD**



**DOME LOAD**

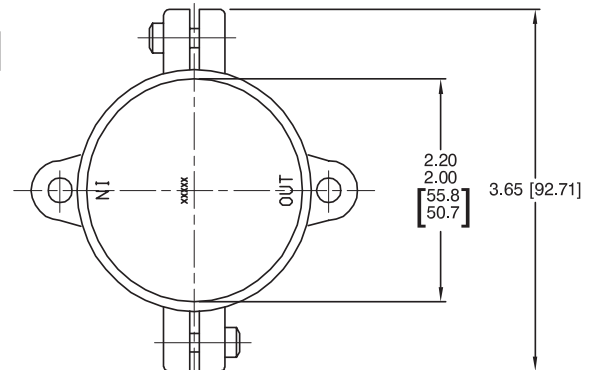
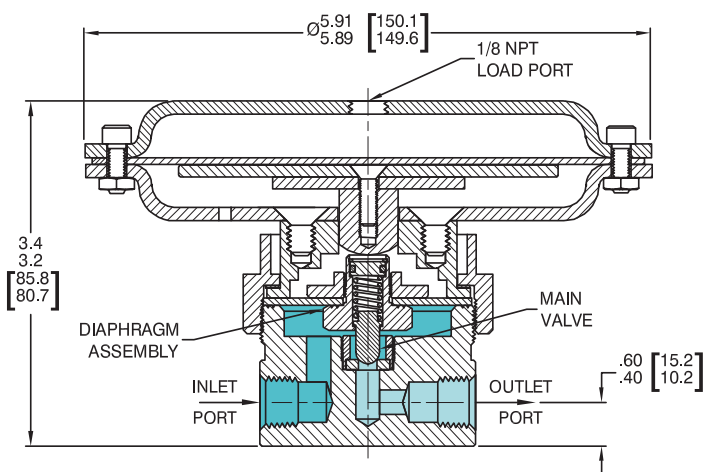


**PANEL CUT-OUT**



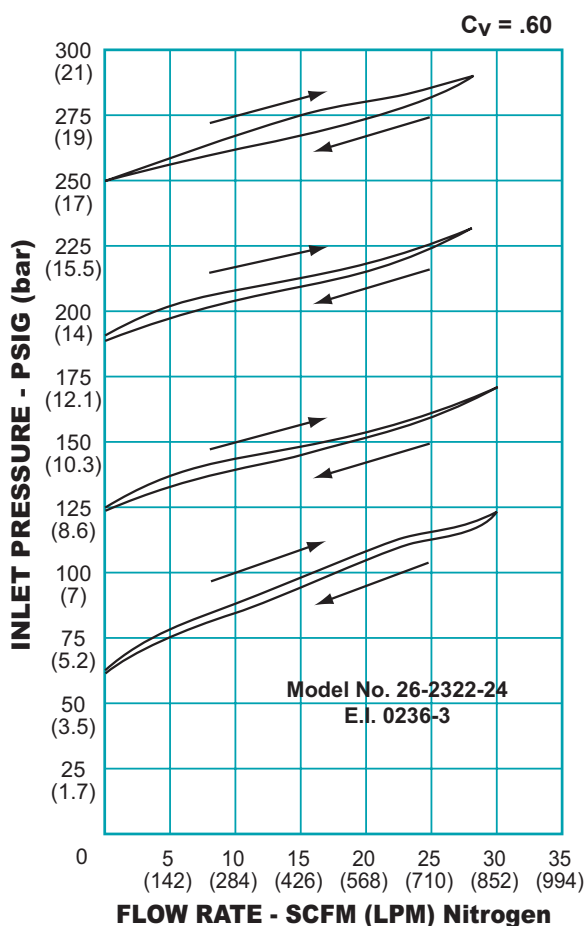
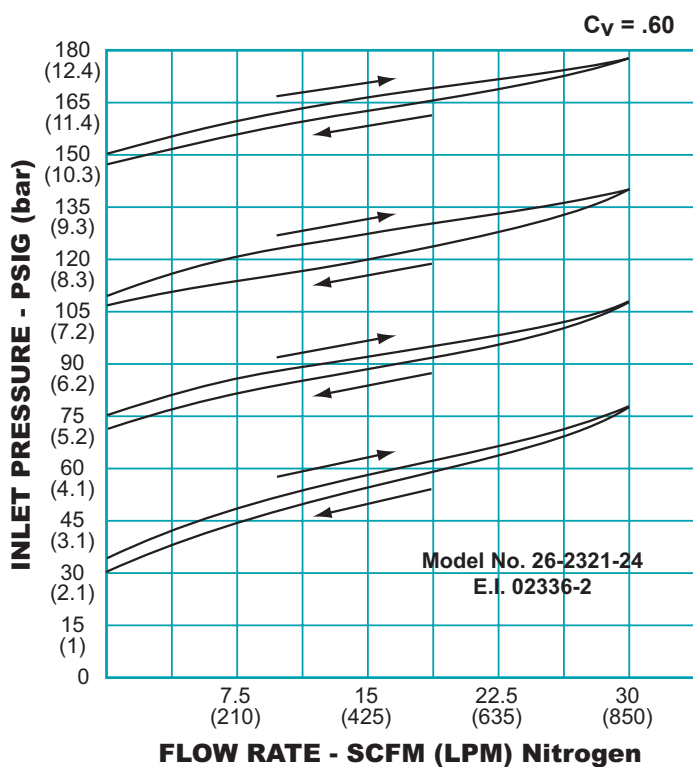
**FOR ALL LOAD TYPES**

**AIR LOAD**



*All dimensions are reference & nominal  
 Metric (millimeter) equivalents are in brackets*

# 26-2300 Series Sensitive/Back Pressure Flow Charts



## Part Number Selector

example part number:

**26-23**

**2**

**1**

**-**

**2**

**4**

BASIC SERIES	BODY MATERIAL	CONTROL PRESSURE RANGE	INLET & OUTLET PORT TYPE	INLET & OUTLET PORT SIZE
<b>26-23</b>	<b>2</b> – 303 Stainless Steel	<b>0</b> – 0-50 PSIG (0-3.5 bar)	<b>1</b> – SAE	<b>4</b> – 1/4" (.64 cm)
	<b>3</b> – 2024-T351 Aluminum	<b>1</b> – 0-150 PSIG (0-10.3. bar)	<b>2</b> – NPT	<b>6</b> – 3/8" (.95 cm)
	<b>6</b> – 316 Stainless Steel	<b>2</b> – 0-250 PSIG (0-17 bar)	<b>3</b> – MS33649	<b>8</b> – 1/2" (1.27 cm)

*Repair Kits Accessories Modifications*



**WARNING!** Do not attempt to select, install, use or maintain this product until you have read and fully understood the *TESCOM Safety, Installation & Operation Precautions*.

*The contents of this publication are presented for informational purposes only, and while every effort has been made to ensure their accuracy, they are not to be construed as warranties or guarantees, expressed or implied, regarding the products or services described herein or their use or applicability. We reserve the right to modify or improve the designs or specifications of such product at any time without notice.*

**For information contact:**

**TESCOM**

[www.TESCOM.com](http://www.TESCOM.com)

**TESCOM Industrial Controls**

Tel: 800-447-1250 • 763-241-3238

Fax: 763-241-3224 • email: [ic@tescom.com](mailto:ic@tescom.com)

12616 Industrial Boulevard • Elk River, MN 55330 USA

©Tescom Corporation, 2007; All Rights Reserved.  
Tescom is a business unit of the Regulator Division.  
Trademarks are property of divisions of Emerson Process Management.

Form No. 694 Rev. 10/11 5M Printed in the U.S.A.



**EMERSON**<sup>™</sup>  
Process Management