

Ultra-High Purity

maximum 1500 PSIG in/maximum 200 PSIG out
ultra-high flow/positive seal

64-3200 Series

Specifications

Operating Parameters

pressure rating per criteria of ANSI/ASME B31.3
 maximum rated inlet pressure . . . 150, 1000, 1500 PSIG
 outlet pressure ranges 0-30, 0-60, 0-100, 0-150,
 0-200 PSIG
 design proof pressure. . . 150% of maximum rated pressure
 inboard leak rate $<1 \times 10^{-9}$ atm cc/sec He
 operating temperature:
 Teflon® seat -40°F to +160°F
 (-40°C to +71°C)
 PCTFE seat -40°F to +140°F
 (-40°C to +60°C)
 flow capacity $C_v = 1.2$

Media Contact Materials

body 316L SST with Electropolish or
 316L SST with Internal Electropolish
 diaphragm Hastelloy®
 seat retainer 316 SST
 poppet 316 SST or Hastelloy®
 valve seat Teflon®, Vespel®, PCTFE
 remaining parts 316 SST

For other materials or modifications, please consult TESCO.

Internal Surface Finish 10 Ra microinch
(.25 micrometer)

Connections

Welded female or male VCR®
 Tube stubs
 High Purity Internal Connections (H.P.I.C.)
 (Internal style of VCR®, compatible with male swivel VCR®)

Internal Volume (1/2" fitting) 32 cc

Weight (without gauges) 3.5 lbs. (1.6 kg)

Pressure Conversion 14.2 PSIG = 1 kg/cm² 145 PSIG = 1 MPa

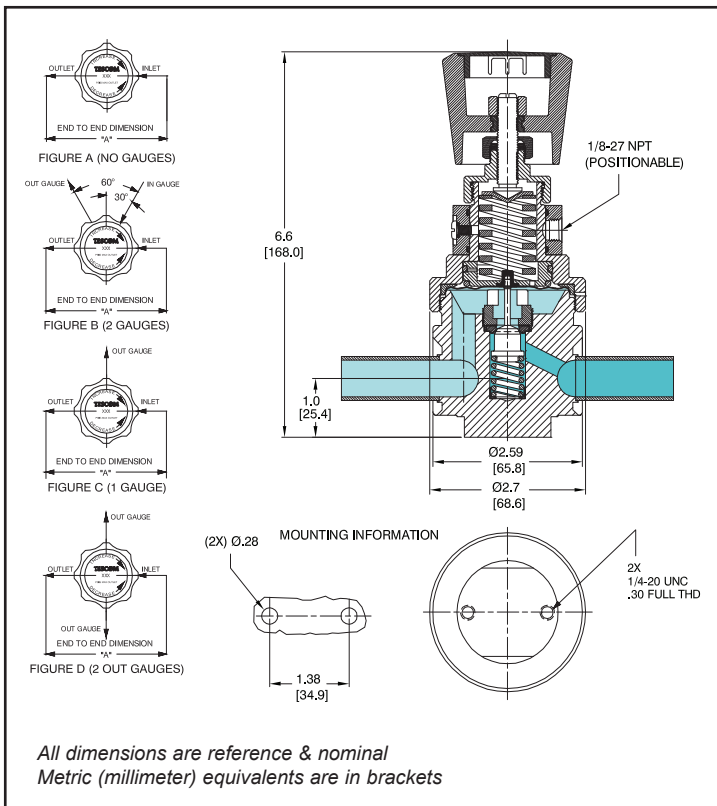
Teflon® and Vespel® is a registered trademark of DuPont.
 Hastelloy-C® is a registered trademark of Haynes International, Inc.
 VCR® is a registered trademark of Swagelok Company.



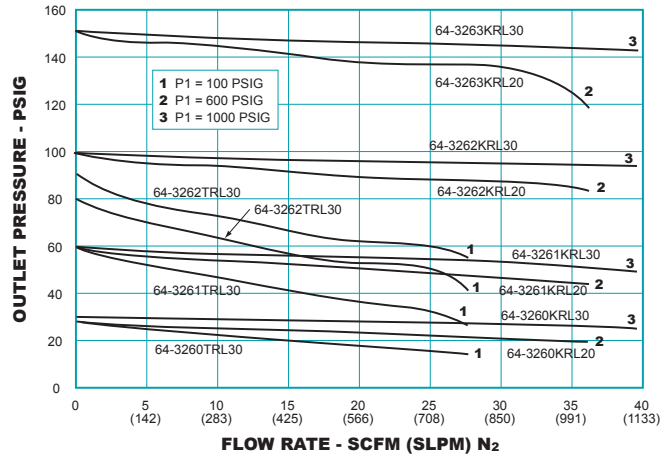
Advantages

- Designed for high flow bulk speciality gas
- Hastelloy® trim option available
- Positive shut-off seal, tied diaphragm design
- Excellent leak integrity is created by a metal-to-metal diaphragm to body seal

64-3200 Series Ultra-High Purity



Flow Chart



Part Number Selector

example part number:

64-32 6 3 K RL 1 0

BASIC SERIES	BODY MATERIAL / FINISH	OUTLET PRESSURE RANGES	SEAT MATERIAL	INLET & OUTLET PORT SIZE & TYPE	'A' ± .06"	MAXIMUM INLET PRESSURE	GAUGE PORT OPTION NO. OF GAUGE PORTS (FIGURE)
64-32	4 - 316L SST Electropolish	0 - 0-30 PSIG	K - PCTFE (1000 or 1500 PSIG inlet only)	T1 - 1" Tube Ends.....	5.75"	316 SST TRIM	0 - None.....
	6 - 316L SST Internal Electropolish	1 - 0-60 PSIG		T6 - 3/8" Tube Ends.....	3.70"		1 - 1500 PSIG
		2 - 0-100 PSIG	T - Teflon® (150 PSIG inlet only)	T7 - 3/4" Tube Ends.....	5.75"	2 - 1000 PSIG	2 - 1/4" H.P.I.C.....
		3 - 0-150 PSIG (1000 or 1500 PSIG inlet only)		T8 - 1/2" Tube Ends.....	3.70"		3 - 150 PSIG
		4 - 0-200 PSIG (1000 or 1500 PSIG inlet only)	V - Vespe® (1000 or 1500 PSIG inlet only)	RA - 1/4" Male Fixed.....	3.70"	HASTELLOY® TRIM	4 - 1/4" Male Swivel... 2 (fig. D)
				RB - 3/4" Male Swivel.....	6.30"		5 - 1500 PSIG
				RC - 3/4" Female Swivel.....	6.30"	6 - 1000 PSIG	6 - 1/4" Male Swivel... 2 (fig. B)
				RG - 1/4" Male Swivel High Flow.....	4.27"	7 - 150 PSIG	7 - 1/4" Female Swivel... 2 (fig. D)
				RK - 1/2" Male Swivel.....	5.59"		8 - 1/4" Female Swivel... 1 (fig. C)
				RL - 1/2" Female Swivel.....	5.59"		9 - 1/4" Female Swivel... 2 (fig. B)
				RU - IN Port: 1/4" Male Fixed; OUT Port: 1/4" Female Swivel.....	3.70"		N - 1/4" Tube Stub... 2 (fig. B)
				RV - IN Port: 1/4" Female Swivel; OUT Port: 1/4" Male Swivel.....	5.59"		P - 1/4" Tube Stub... 1 (fig. C)
				RY - IN Port: 1/4" Female High Flow; OUT Port: 1/4" Male Fixed.....	4.27"		R - 1/4" Tube Stub... 2 (fig. D)
				RZ - IN Port: 1/2" Female Swivel; OUT Port: 1/2" Male Swivel.....	5.59"		S - 1/4" Fixed Male... 2 (fig. B)
				SA - 1/4" Male Fixed.....	4.08"		T - 1/4" Fixed Male... 1 (fig. C)
				SK - 1/2" Male Swivel.....	5.21"		U - 1/4" Fixed Male... 2 (fig. D)

Repair Kits, Accessories & Modifications may be available for this product. Please contact TESCOM for more information.

WARNING! Do not attempt to select, install, use or maintain this product until you have read and fully understood the TESCOM Safety, Installation & Operation Precautions.

The contents of this publication are presented for informational purposes only, and while every effort has been made to ensure their accuracy, they are not to be construed as warranties or guarantees, expressed or implied, regarding the products or services described herein or their use or applicability. We reserve the right to modify or improve the designs or specifications of such product at any time without notice.

For information contact:

TESCOM

TESCOM High Purity Controls

Tel: 800-447-9650 • 763-241-3222

www.TESCOM.com

Fax: 763-241-3209 • email: hpc@tescom.com

1911 Industrial Boulevard • Elk River, MN 55330 USA

©Tescom Corporation, 2007; All Rights Reserved.

Tescom is a business unit of the Regulator Division.

Trademarks are property of divisions of Emerson Process Management.

Form No. 1837 Rev. 9/07 Printed 9/07 3M Printed in the U.S.A.

EMERSON
Process Management