

Cylinder pressure regulator for special applications

Labo & Doppelregulus

LAB
line

Spezifikation

❑ Fluid Media

Non corrosive gases up to purity 5.0
(99.999 Vol%)

❑ Technical Data

Max. rated inlet pressure:

Labo & Doppelregulus 200 bar / 2900 PSIG

Pressure range:

Labo 1.5, 4, 10, 20 bar

. 22, 58, 145, 290 PSIG

Doppelregulus 1 and 1.5 bar

. 14.5 and 21.8 PSIG

Doppelregulus 50, 100, 500 mbar

. 1.5, 3.0, 15 "Hg

Connection:

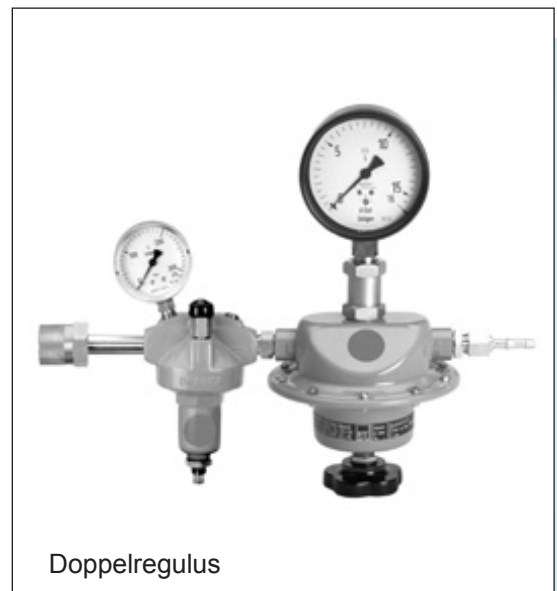
Inlet acc. to DIN 477-1

Outlet. compression fitting \varnothing 6 mm

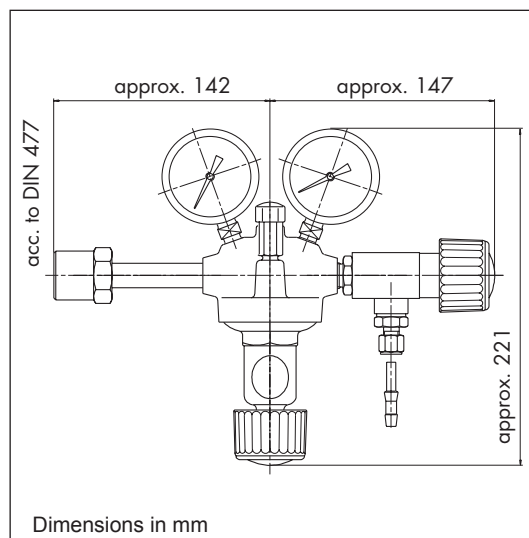
. with hose nozzle 6 mm

Advantages

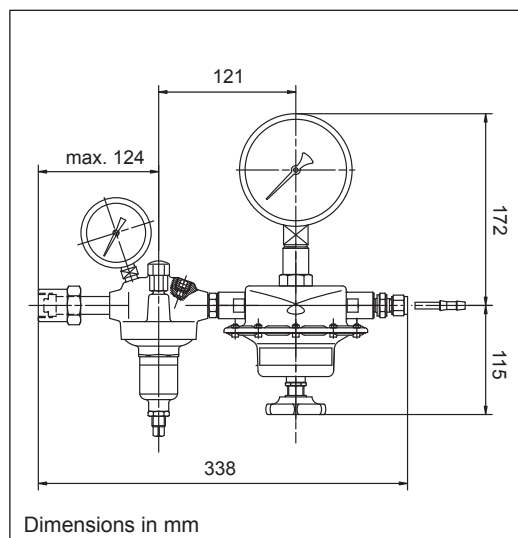
- single stage as Labo including shut off valve for high flow capacity (up to 50 m³/h)
- dual stage as Doppelregulus for millibar control
- 5 different set points for outlet pressure are possible
- compact design



Labo



Doppelregulus



Ordering information

Example Part No. for Labo:

D43150 - 12 - 05 - 2

TYPREIHE	GAS	CONNECTION	PRESSURE
D43150 - Labo 200 bar /2900 PSIG	02 - Nitrogen 08 - Air 09 - Synthetic air 12 - Oxygen 13 - Nitrous oxide 15 - CO ₂ and inert gases 16 - Flammable gases 17 - Calibration gases	00 - without connection 05 - compression fitting ø 6 mm with hose nozzle ø 6 separatly * other outlet connections are as an option available	1 - 1.5 bar / 220PSIG 2 - 4 bar / 58 PSIG 3 - 10 bar / 145 PSIG 4 - 20 bar / 290 PSIG

Example Part No. for Doppelregulus:

D50711 - 12 - 05 - 0050

TYPREIHE	GASE	ANSCHLÜSSE	DRUCKBEREICH
D50711 - Doppelregulus	02 - Nitrogen 08 - Air 09 - Synthetic air 12 - Oxygen 13 - Nitrous oxide 15 - CO ₂ and inert gases 16 - Flammable gases (except Propane and Acetylene) 17 - Calibration gas 42 - Compressed air 300 bar / 4350 PSIG	05 - compression fitting ø 6 mm with hose nozzle ø 6 separatly * other outlet connections are as an option available	0050 - 50 mbar / 1.5 "Hg 0100 - 100 mbar / 3.0 "Hg 0500 - 500 mbar / 15 "Hg 1000 - 1 bar / 14.5 PSIG 1500 - 1,5 bar / 21.8 PSIG

Accessories

Pos.	Order no.	Description
1	D50810	Sealing ring for O ₂ and SL
1	D50809	Sealing ring for non corrosive gases
1	D41414	Sealing ring for calibration mixture, Nitrous oxide
2	D41681	Nozzle 6 mm

TESCOM
www.tescom-europe.com

TESCOM EUROPE GMBH & CO. KG
An der Trave 23 - 25 • D-23923 Selmsdorf • Germany
Tel: +49 (0) 388 23/31-0 • Fax: +49 (0) 388 23/31-199
eu-tescom@emerson.com

EMERSON
Process Management