

Line equipment Inline Pressure Reducer Südpol

for high gas flow
used for cylinder banks, in hospitals and industry

LAB
line

Specifications

❑ Fluid Media

Non-corrosive gases and mixtures up to 5.0 purity
(99,999 Vol %)

❑ Operating Parameters

Max. rated inlet pressure (bar/PSIG): . . . 200/2900

Outlet pressure range (bar/PSIG):

..... 0.5-5/7.3-73

..... 2-20/29-290

Nominal flow rate:

..... 60, 250, 500 m³/h

..... based on Nitrogen

Media contact materials

Body material: Brass

Diaphragm: NBR

Seat: Polyamid

Operating temperature: -20 to +70 °C

Weight: 6.1 kg

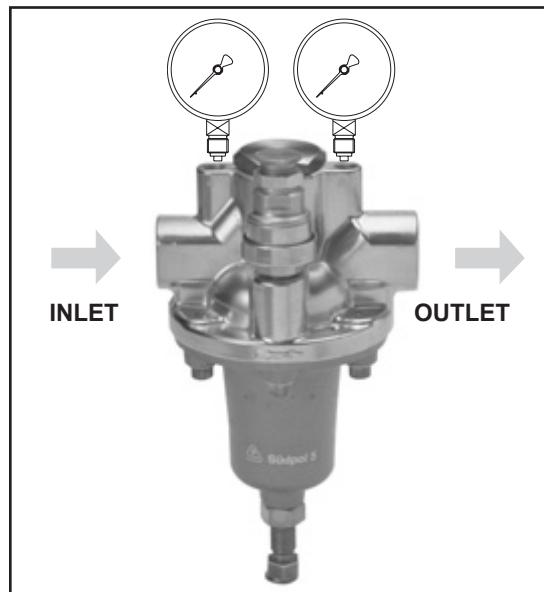
Port types and sizes

Inlet: G3/4

Outlet: G1

Gauges: G1/4

Relief valve: G1/2

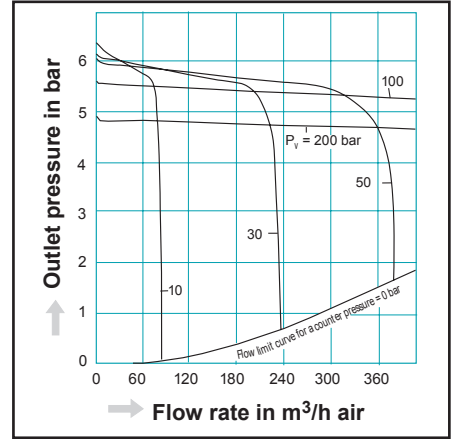
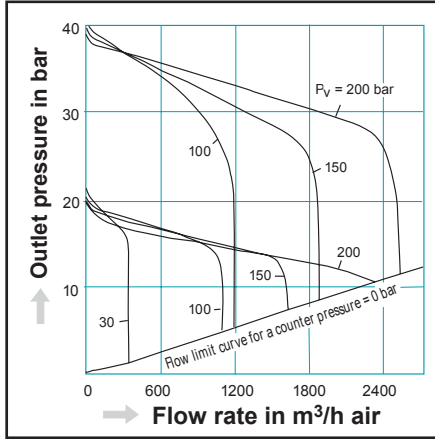
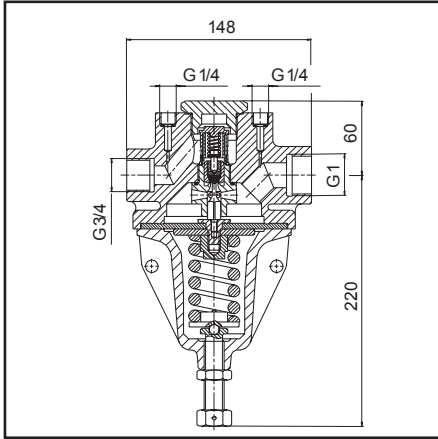


Advantages

- High flow (cv=0.87) up to 500 m³/h
- Excellent history of successful application in medical and industrial gas supply systems
- Oxygen ignition tested with 200 bar at BAM
- Safe operation due to standard relief valve

Südpol

Flow charts for air



Südpol 2 and 5

Ordering Information

NO.	TYPE	
1	D15048	Südpol 5 0.5-5 bar
1	D15049	Südpol 2 2-20 bar
2	D44163-00G3156	Gauge brass 63-315/200
2	D44163-12G3156	Gauge brass 63-315/200 O ₂
2	D44163-00G0606	Gauge brass 63-60/40
2	D44163-00G0406	Gauge brass 63-40/20
2	D44163-12G0406	Gauge brass 63-40/20 O ₂
2	D44163-00G0096	Gauge brass 63-9/6
2	D44163-12G0096	Gauge brass 63-9/6 O ₂
3	D41512	Gauge plug G 1/4
3	D42339	Copper sealing ring G 1/4
4	D11618	Inlet connection G 3/4 - G 3/4
5	D10804	Outlet connection G 1-G 3/4
5	D11594	Outlet connection G 1-G 1 1/4
6	V03807	Soldering srew connection G 3/4-8 mm
6	V02407	Soldering srew connection G 3/4-12 mm
6	V04207	Soldering srew connection G 3/4-16 mm
6	V04107	Soldering srew connection G 3/4-22 mm
6	D07384	Copper sealing ring G 3/4
6	V09130	Soldering srew connection G 1 1/4-28 mm
7	D40081	Brass compression fitting MS G 1/2-12 mm
8	V09073	Mounting

Repair kits

Südpol 2 **D50524**
 Südpol 5 **D50524**

TESCOM
www.tescom-europe.com

TESCOM EUROPE GMBH & CO. KG
 An der Trave 23 - 25 • D-23923 Selmsdorf • Germany
 Tel: +49 (0) 3 88 23 / 31-0 • Fax: +49 (0) 3 88 23 / 31-199
 eu.tescom@emerson.com

TESCOM EUROPE is a business unit of Emerson Process Management Regulator Technologies, Inc.
 Trademarks are property of divisions of Emerson Process Management.

1206-01-09 Subject to technical changes

EMERSON
 Process Management