



**Hydraulic/High Flow**  
**maximum 8000 PSIG in/ranges up to 8000 PSIG out**  
**pressure reducing/high pressure**

# 54-2200 Series

## Specifications

- ❑ **Operating Parameters**
  - pressure rating per criteria of ANSI/ASME B31.3
  - maximum rated inlet pressure . . . . . 8000 PSIG
  - outlet pressure ranges<sup>1</sup>. . . . . 1500, 3000, 5000,  
6000, 8000 PSIG
  - design proof pressure . . . . . 150% maximum  
rated pressure
  - leakage (maximum) . . . . . 2 drops/min. @ 150 S.U.S.  
@ 2500 PSIG
  - ambient operating and  
fluid media temperature<sup>2</sup>. . . . . -40° F to +200° F  
(-40° C to +93° C)
  - flow capacity . . . . . main valve: C<sub>v</sub> = 2.0  
vent valve: C<sub>v</sub> = 1.6

<sup>1</sup>. *Note: Regulator VENTS to 0 PSIG in all pressure ranges.*  
<sup>2</sup>. *Varies with sealing material selected, please consult Tescom.*

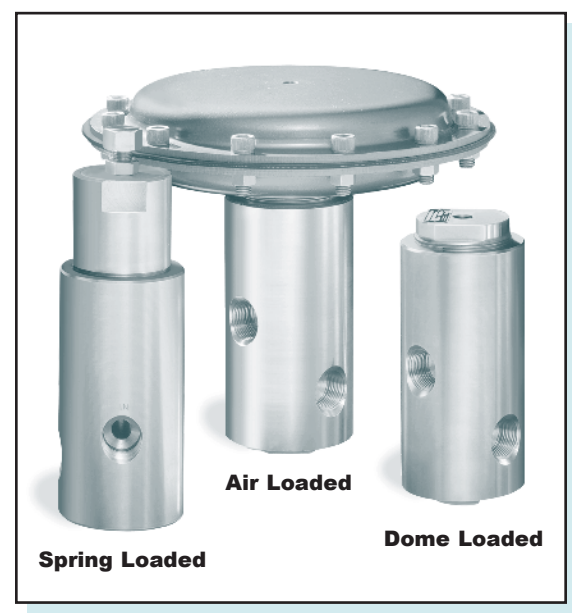
- ❑ **Media Contact Materials**
  - body . . . . . 303 or 316 Stainless Steel
  - seat, main valve & sensor . . . . . 17-4 PH Stainless Steel
  - o-rings . . . . . Buna-N, Viton®, Kalrez®, E.P.
  - back-up rings . . . . . Teflon®
  - sleeve, bonnet . . . . . Nitronic 60
  - remaining parts . . . . . 303 Stainless Steel

*For other materials and modifications, please consult Tescom.*

- ❑ **Cleaning** . . . . . CGA 4.1 and ASTM G93
- ❑ **Weight (approximately)** . . . . . 15 lbs. (6.3 kg)

**Pressure Conversion** 14.5 PSIG = 1 bar 145 PSIG = 1 MPa

*Teflon®, Viton® and Kalrez® are registered trademarks of DuPont.*

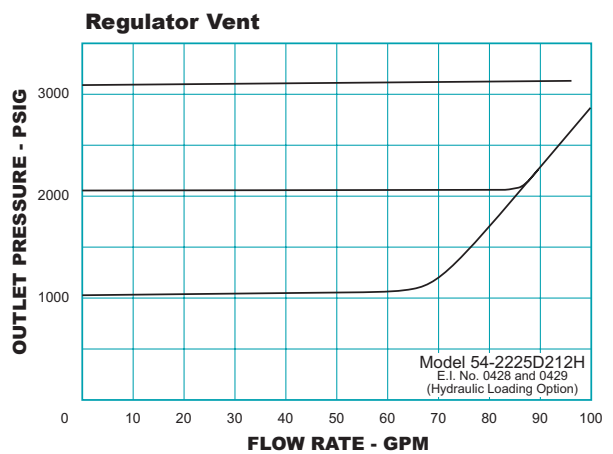
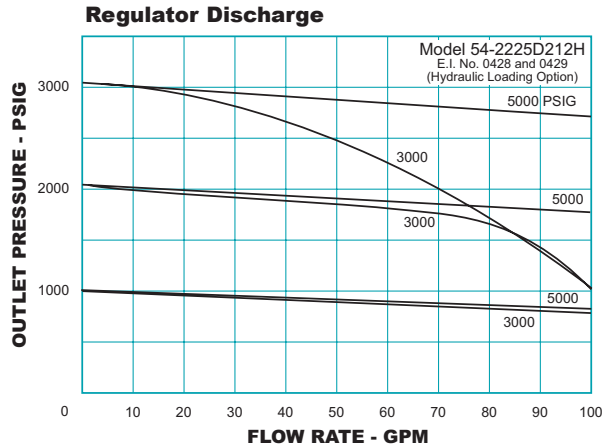
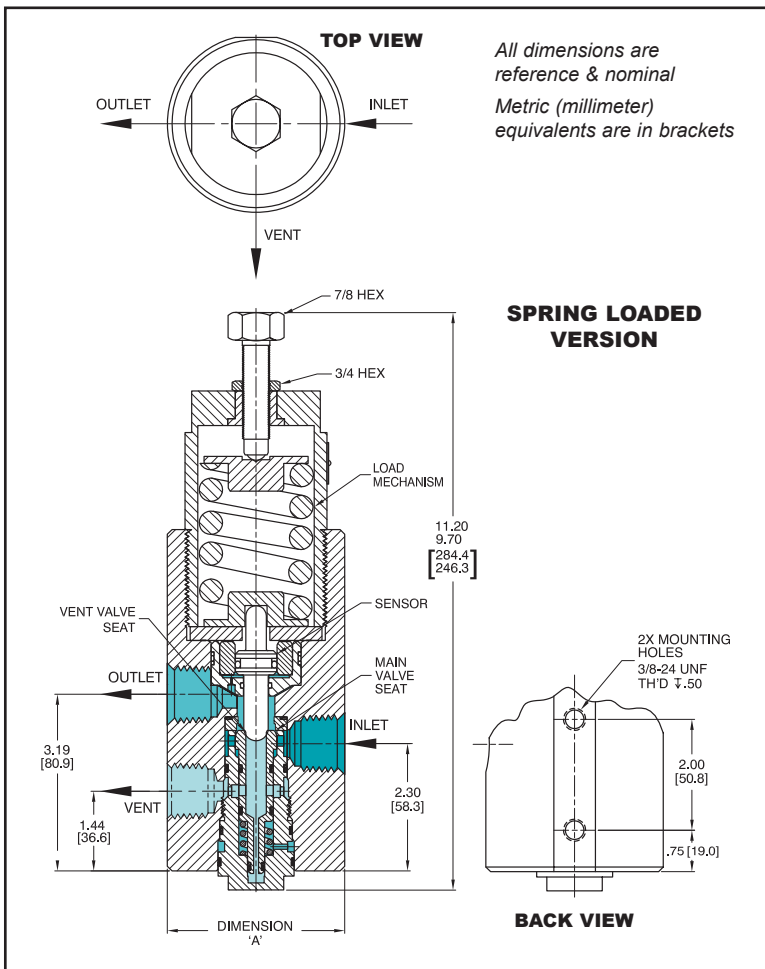


## Advantages

- A wear insert on piston increases life in non-lubricating media
- Rugged design for tough conditions
- Pressure dampening orifice improves stability
- Features piston-style sensor, balanced main valve poppet and a non-adjustable vent system
- Hardened 17-4 Stainless Steel seats help provide long service in abrasive hydraulic applications
- Side mounting standard
- Available in spring, hydraulic/dome and air loading options
- Compatible with Tescom's ER3000 Electropneumatic PID controllers

# 54-2200 Series Hydraulic/High Flow

## Flow Charts



## Part Number Selector

example part number:

**54-22    2                    3                    D                    2                    12                    S**

BASIC SERIES	BODY MATERIAL	OUTLET PRESSURE RANGES	SOFT GOODS MATERIAL			PORT TYPE	DIMENSION "A"	PORT SIZE	LOADING OPTIONS
			O-RING dynamic	O-RING static	O-RING seat				
54-22	2 - 303 SST	1 - 1500 PSIG <sup>3</sup> (spring only)	D - Buna-N	Buna-N	17-4 SST	1 - SAE	3.95"	12 - 3/4"	S - Spring H - Hydraulic/ Dome A - Air
		6 - 316 SST	T - Viton®	Viton®	17-4 SST	2 - NPT	3.20"		
	3 - 3500 PSIG <sup>4</sup> (spring & 35:1 air)	V - Kalrez®	Kalrez®	17-4 SST	3 - MS33649	3.95"			
	5 - 5000 PSIG (spring & 65:1 air)	Z - E.P.	E.P.	17-4 SST					
		6 - 6000 PSIG (spring only)							
		8 - 8000 PSIG (hydraulic/dome & 105:1 air)							

<sup>3</sup>Wear insert not available.  
<sup>4</sup>Wear insert not available for air load.

Repair Kits, Accessories & Modifications may be available for this product. Please contact Tescom for more information.



**WARNING!** Do not attempt to select, install, use or maintain this product until you have read and fully understood the Tescom Safety, Installation & Operation Precautions.

The contents of this publication are presented for informational purposes only, and while every effort has been made to ensure their accuracy, they are not to be construed as warranties or guarantees, expressed or implied, regarding the products or services described herein or their use or applicability. We reserve the right to modify or improve the designs or specifications of such product at any time without notice.

### For information contact:



**TESCOM Industrial Controls**  
Tel: 800-447-1250 • 763-241-3238  
Fax: 763-241-3224 • email: ic@tescom.com  
12616 Industrial Boulevard • Elk River, MN 55330 USA

©Tescom Corporation, 2006; All Rights Reserved.  
Tescom is a business unit of the Regulator Division.  
Trademarks are property of divisions of Emerson Process Management.

Form No. 1601 Rev. 11/06 Printed 11/06 5M Printed in the U.S.A.

