

High Pressure/Dome Loaded
maximum 6000 PSIG in/up to 5000 PSIG out
high flow/pressure reducing

44-4200 Series

Specifications

- ❑ **Operating Parameters**
 - pressure rating per criteria of ANSI/ASME B31.3
 - maximum rated inlet pressure 6,000 PSIG
 - outlet pressure range 0 - 5,000 PSIG
 - design proof pressure 150% maximum rated pressure
 - leakage bubble-tight
 - ambient operating and fluid temperature . . . see Part Number Selector
 - flow capacity 1/4" main valve: $C_v = .80$
3/8" main valve: $C_v = 2.0$
- ❑ **Media Contact Materials**
 - body 303, 316 Stainless Steel or brass
 - main valve seat CTFE, Teflon® or Vespel®
 - o-ring Buna-N, Viton-A® or E.P.
 - back-up ring Teflon®
 - gasket CTFE or Vespel®
 - remaining parts . . . 300 Series Stainless, 17-4 PH

For other materials and modifications, please consult Tescom.

- ❑ **Connections** . . inlet & outlet: 1/4", 1/2" & 3/4" NPT
dome port: 1/4" NPT
- ❑ **Cleaning** CGA 4.1 and ASTM G93
- ❑ **Weight** 8 lbs. (3.62 kg)

Pressure Conversion 14.5 PSIG = 1 bar 145 PSIG = 1 MPa

Teflon®, Viton-A® and Vespel® are registered trademarks of Du Pont.

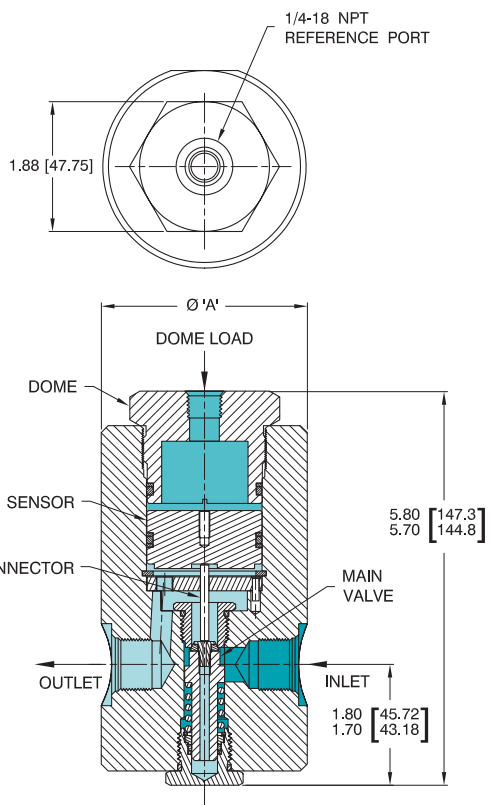


Advantages

- Available in brass or stainless steel
- Features piston-style sensor and balanced main valve
- Non-venting
- Compatible with Tescom's ER3000 Electropneumatic PID controllers
- Body and soft goods material options
- High flow, high pressure

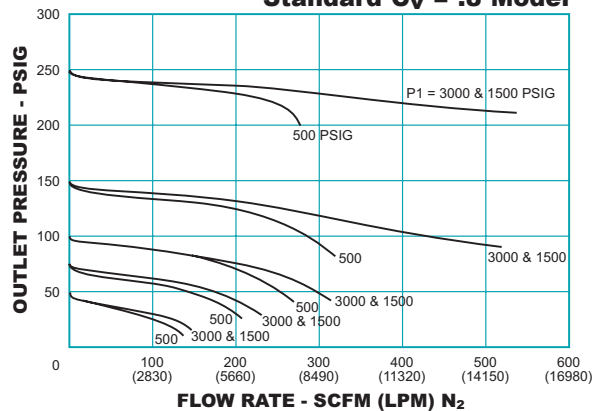
44-4200 Series High Pressure/Dome Loaded

All dimensions are reference & nominal
Metric (millimeter) equivalents are in brackets

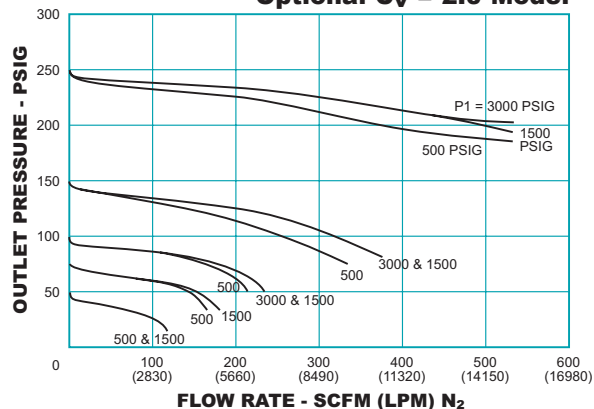


Flow Charts

Standard $C_v = .8$ Model



Optional $C_v = 2.0$ Model



Part Number Selector

example part number:

44-42 1 5 A 2 4 - 005

BASIC SERIES	BODY MATERIAL	OUTLET PRESSURE RANGE	SOFT GOODS				IN & OUT PORT TYPE	IN & OUT PORT SIZE	DIA. 'A'	MOD. NUMBER	
			O-RING	SEAT	GASKET	TEMPERATURE					
44-42	1 - Brass 2 - 303 SST 6 - 316 SST	5 - 0-5000 PSIG	A	Buna-N	CTFE	CTFE	-40°F to +165°F (-40°C to +74°C)	1 - SAE 2 - NPT 3 - MS33649	4 - 1/4" 8 - 1/2" 12 - 3/4" (NPT only)	2.47" 2.47" 2.98"	- 005 - $C_v = 2.0$
			B	Buna-N	Teflon®	CTFE	-40°F to +165°F (-40°C to +74°C)				
			E	Viton-A®	CTFE	CTFE	0°F to +165°F (-17°C to +74°C)				
			F	Viton-A®	Teflon®	CTFE	0°F to +165°F (-17°C to +74°C)				
			G	Viton-A®	Vespe®	Vespe®	0°F to +250°F (-17°C to +121°C)				
			H	E.P.	Vespe®	Vespe®	-40°F to +250°F (-40°C to +121°C)				
L	E.P.	CTFE	CTFE	-40°F to +165°F (-40°C to +74°C)							

Repair Kits, Accessories & Modifications may be available for this product. Please contact Tescom for more information.

WARNING! Do not attempt to select, install, use or maintain this product until you have read and fully understood the Tescom Safety, Installation & Operation Precautions.

The contents of this publication are presented for informational purposes only, and while every effort has been made to ensure their accuracy, they are not to be construed as warranties or guarantees, expressed or implied, regarding the products or services described herein or their use or applicability. We reserve the right to modify or improve the designs or specifications of such product at any time without notice.

For information contact:

TESCOM

TESCOM Industrial Controls

Tel: 800-447-1250 • 763-241-3238

Fax: 763-241-3224 • email: ic@tescom.com

12616 Industrial Boulevard • Elk River, MN 55330 USA

©Tescom Corporation, 2006; All Rights Reserved.

Tescom is a business unit of the Regulator Division.

Trademarks are property of divisions of Emerson Process Management.

Form No. 1613 Rev. 10/06 Printed 10/06 5M Printed in the U.S.A.

EMERSON
Process Management