

Line fittings
for gases up to quality 6.0

Line Pressure Reducer

Brass and Stainless Steel

LAB
line

Specification

Fluid Media

Non-corrosive gases and mixtures up to purity 6.0 (99,9999 Vol%) Brass and Stainless Steel

For corrosive gases in Stainless Steel

Technical Data

Material: Brass and Stainless Steel 316 L

Bonnet: Nickel plated Brass,
. optional Stainless Steel

Seat: Teflon®

Leakage rate against atmosphere:
. 10^{-8} mbar l/sec He

Max. inlet pressure bar/PSIG:
D45001 241/3495 and 27/392
D45002 210/3045 and 34/508

Outlet pressure range bar/PSIG:
D45001 7/102 and 17/247
D45002 10/145

Cv:
D45001 0.06 (HP); 0.15 (LP)
D45002 1.0

Operating temperature: -40 to +70 °C

Weight (kg):
D45001 approx. 1.1
D45002 approx. 1.8

Connections body:
D45001 3x NPT 1/4
D45002 2x NPT 1/2

Gauge: NPT 1/4

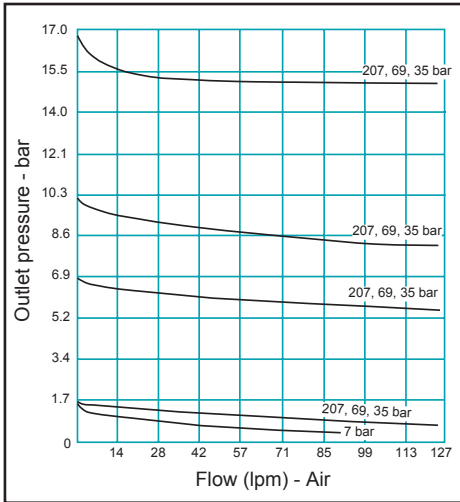
Connection: Fitting see ordering information



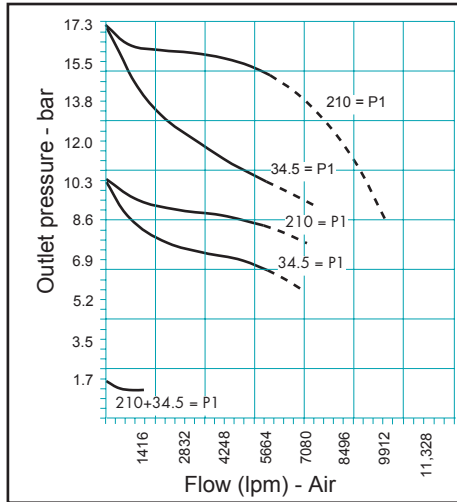
Advantages

- pre assembled with gauge, compression fittings attached
- increased safety and reliability due to metal to metal seal with Stainless Steel diaphragm
- high flow capacity with excellent control capabilities at D45002
- optional presetting of outlet pressure
- suitable for panel installation

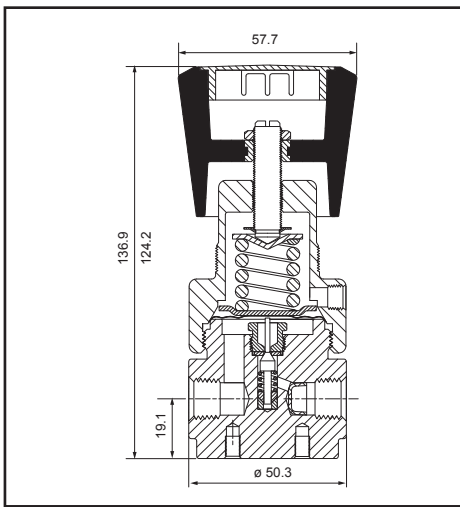
Flow chart D45001



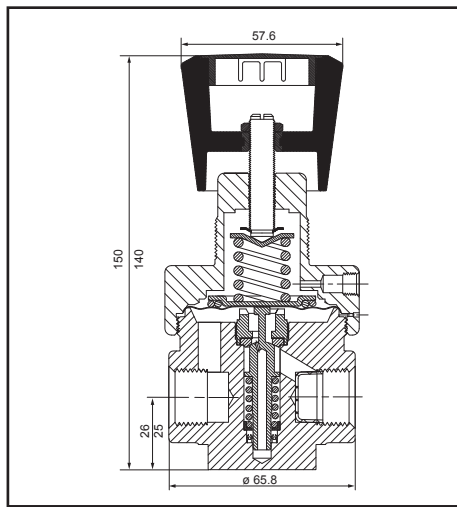
Flow chart D45002



Dimension drawing D45001



Dimension drawing D45002



Ordering Information

Example Ordering No.:

Regulator D45001 - 1 - 2 - 1

BASIC SERIES	MATERIAL	INLET PRESSURE	OUTLET PRESSURE
D45001	1 - Brass	1 - 241 bar * / 3495 PSIG	1 - 1-7 bar / 14.5 - 102 PSIG
	6 - Stainless Steel 316	2 - 27 bar / 392 PSIG	2 - 2-17 bar / 29 - 247 PSIG
D45002	1 - Brass	1 - 210 bar * / 3045 PSIG	3 - 1-10 bar / 14.5 - 145 PSIG
	6 - Stainless Steel	2 - 35 bar / 508 PSIG	

* with high- and low pressure gauge

Screw fitting

for tube 6mm
for tube 8mm
for tube 10mm
for tube 12mm

for D45001

Brass

D42048
D42183
D42047
D-44987-12-1-4-1

Stainless Steel

D43777
D-44987-8-1-4-6
D-44987-10-1-4-6
D-44987-12-1-4-6

for D45002

Brass

-
-
D-44987-10-1-8-1
D-44987-12-1-8-1

Stainless Steel

-
-
D-44987-10-1-8-6
D-44987-12-1-8-6

TESCOM
www.tescom-europe.com

TESCOM EUROPE GMBH & CO. KG

An der Trave 23 - 25 • D-23923 Selmsdorf • Germany
Tel: +49 (0) 3 88 23 / 31-0 • Fax: +49 (0) 3 88 23 / 31-199
eu-tescom@emerson.com

TESCOM EUROPE is a business unit of the Regulator Division. Trademarks are property of divisions of Emerson Process Management.
1290-02-08 Subject to technical changes

EMERSON
Process Management