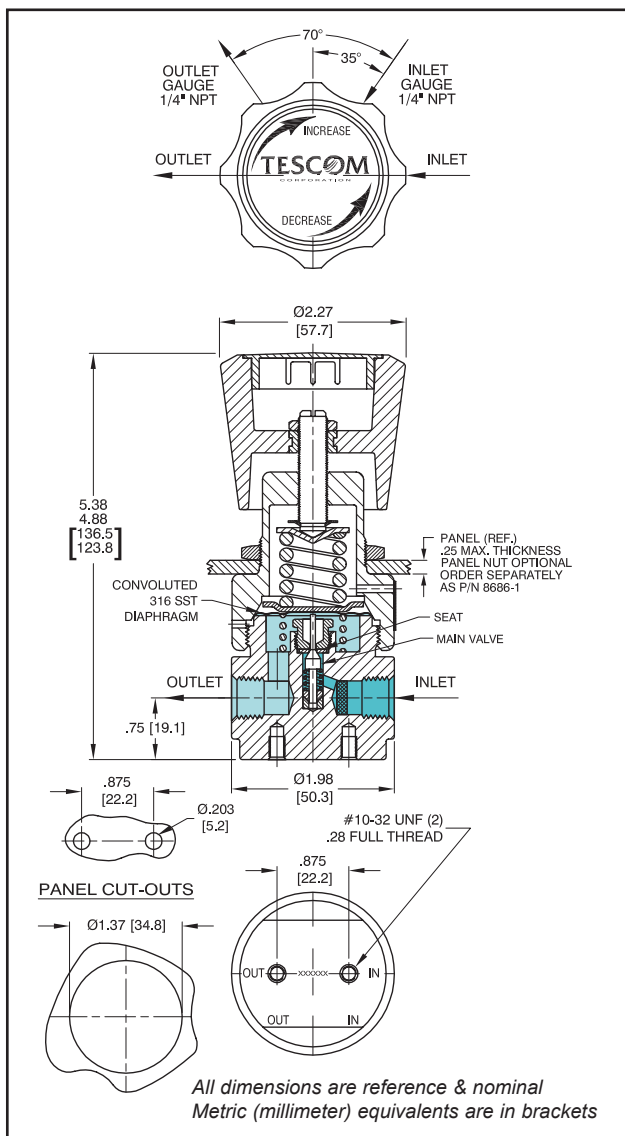
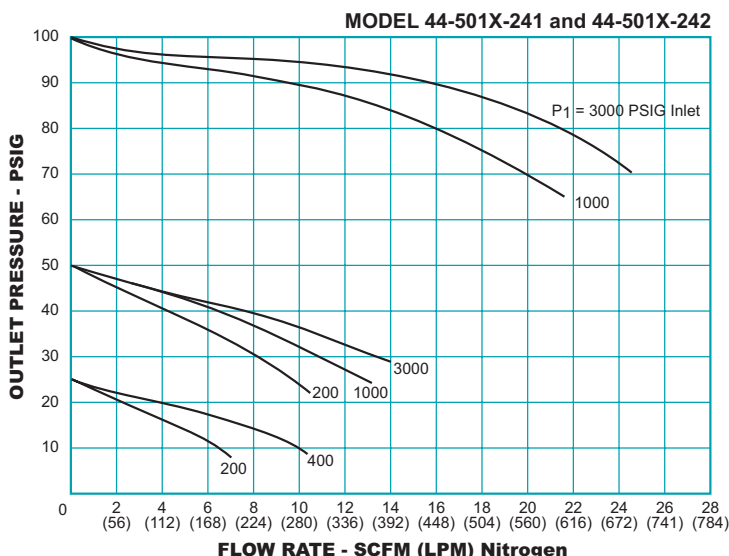
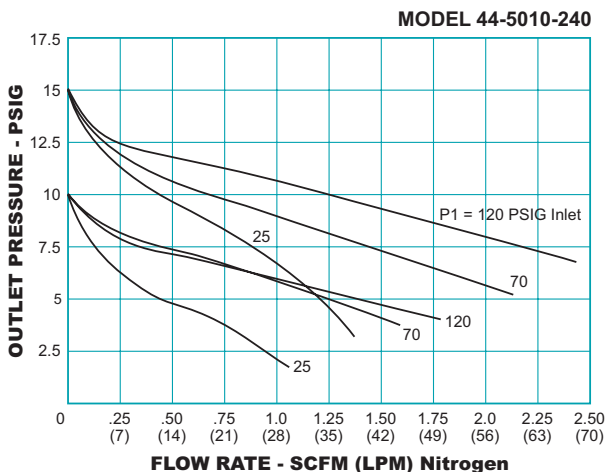


44-5000 Series Absolute Pressure/Pressure Reducing



Flow Charts



Part Number Selector

example part number:

44-50 6 1 - 2 4 1

| BASIC SERIES | BODY MATERIAL | OUTLET PRESSURE RANGE | INLET & OUTLET PORT TYPE | INLET & OUTLET PORT SIZE | MAXIMUM INLET PRESSURE | FLOW CAPACITY |
|--------------|-------------------------|------------------------------|--------------------------|--------------------------|------------------------|---------------|
| 44-50 | 1 - Brass | 0 - 28 in. vacuum - 15 PSIG | 2 - NPT | 4 - 1/4" | 0 - 120 PSIG | $C_V = .24$ |
| | 6 - 316 Stainless Steel | 1 - 28 in. vacuum - 25 PSIG | 3 - MS33649 | | 1 - 3500 PSIG | $C_V = .06$ |
| | | 2 - 28 in. vacuum - 50 PSIG | | | 2 - 400 PSIG | $C_V = .15$ |
| | | 3 - 28 in. vacuum - 100 PSIG | | | | |

Repair Kits, Accessories & Modifications may be available for this product. Please contact Tescom for more information.



WARNING! Do not attempt to select, install, use or maintain this product until you have read and fully understood the Tescom Safety, Installation & Operation Precautions.

The contents of this publication are presented for informational purposes only, and while every effort has been made to ensure their accuracy, they are not to be construed as warranties or guarantees, expressed or implied, regarding the products or services described herein or their use or applicability. We reserve the right to modify or improve the designs or specifications of such product at any time without notice.

For information contact:

TESCOM

TESCOM Industrial Controls

Tel: 800-447-1250 • 763-241-3238

www.TESCOM.com

Fax: 763-241-3224 • email: ic@tescom.com

12616 Industrial Boulevard • Elk River, MN 55330 USA

©Tescom Corporation, 2006; All Rights Reserved.

Tescom is a business unit of the Regulator Division.

Trademarks are property of divisions of Emerson Process Management.

Form No. 1795 Rev. 9/06 Printed 9/06 5M Printed in the U.S.A.

